

**Rhino Stand Up Patient
Lifter P460, P465
Operating Manual**

ATTENTION

Before using this Medical Device read this manual. If you are unable to understand, contact your equipment provider for technical support before attempting to use this product.

TABLE OF CONTENTS

Table of Contents	1
Specifications	2
Product Diagram	3 - 4
General Guidelines	5 - 8
Assembly	
Assembling the Mast Assembly to the Base	9 - 10
Attach the Up-Down Actuator to the Mast	11
Attaching the Knee Pad	12
Attaching the Power Base Actuator	13 - 14
Attaching the Control Unit on Mounting Bracket	15
Attaching the Battery Pack on Control Unit	17 - 18
Attaching Pendant and Actuator to Control Unit	19
Charging The Battery	20 - 21
Operation	22 - 25
Lifting the Patient	26 - 28
Transferring the Patient	29
Attaching Slings to Lift	30
Attaching Standing Sling	31 - 32
Attaching Buttock Strap	33
Attaching Transport Standing Sling	34
Lift Sling Type Reference	35 - 36
Maintenance	37
Limited Warranty	38

SPECIFICATIONS

Height at end of Sling Lift Arm: 36 to 70 inches
Base Opening Between Legs: 21 1/2 to 35 inches
Base Clearance: 4 1/2 inches
Base Length: 40 inches
Overall Height: 70 inches
Overall Length: 40 inches
Overall Width: 26 inches
Casters: 3" Dual Front and 5" Rear with Brake
Sling Options: Polyester Standing or Transfer Sling
Weight Capacity: 350 lbs
Weight without Sling: P460 - 109 lbs, P465 -121 lbs
Battery: 24V DC (RCHBL)
Charger Input: 100-240V AC
Charger Output/Charging Time: 29.5V DC Max 6 hours
Motor Safety Devices: Anti-Entrapment
Emergency Stop Button: Yes
Limited Warranty Lifter/Electronics: 3 Years/1 Year

UNPACKING

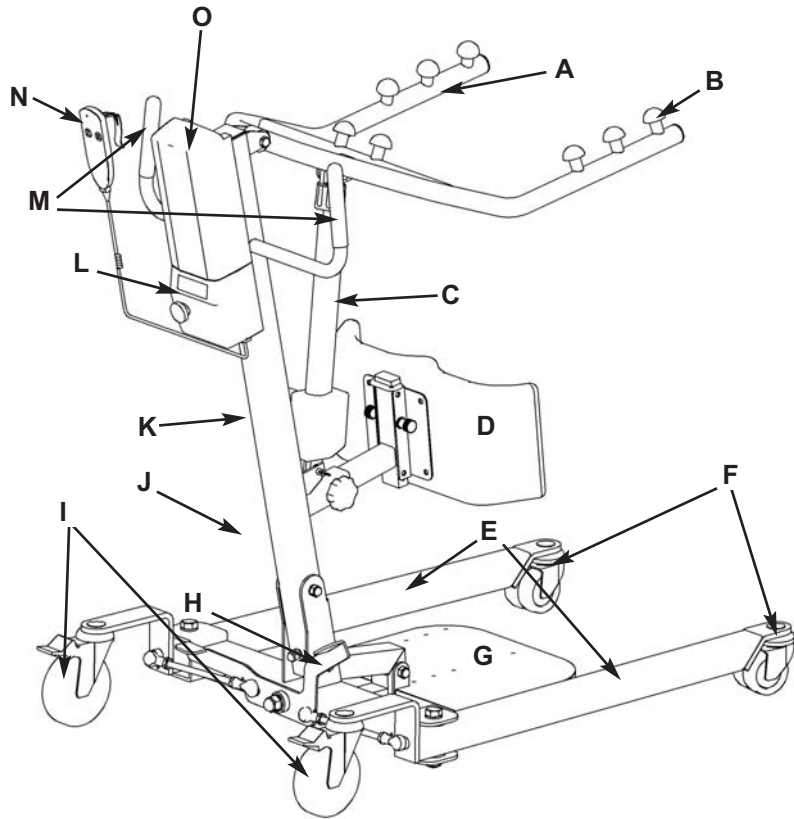
△ Dispose of the removed packaging at your local recycling center. Discard the wrapper and box separately. Dispose of the end-of-life item at a clean point.

△ When cutting the zipties, be cautious not do damage the braking wires.

△ Inspect for any damage and check for hardwares listed on page 4 and 5 according to the device model.

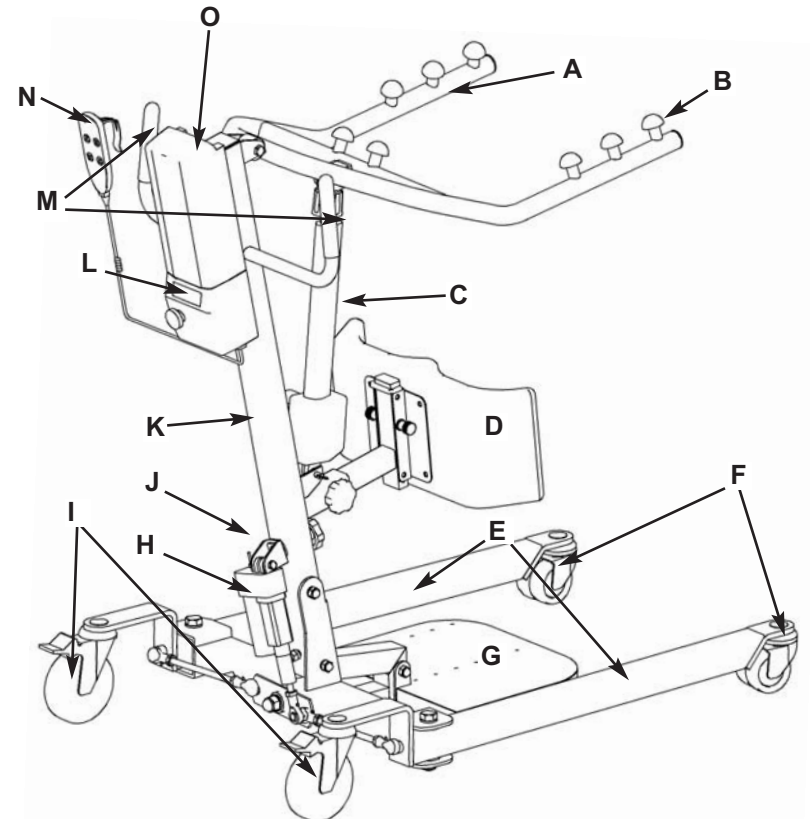
PRODUCT DIAGRAM

SEMI ELECTRIC PATIENT LIFTER P460



- A. Lift Arm
- B. Attachment (Sling) Cradle
- C. Up-Down Actuator
- D. Knee Pad
- E. Adjustable Base
- F. Dual Front Caster Wheels
- G. Foot Step
- H. Foot Pedal for Base (P420)
- I. Rear Caster Wheel with Brake
- J. Charging Cord
- K. Frame Mast
- L. Control Unit
- M. Push Handle Bar
- N. Hand Pendant
- O. Battery Pack

SEMI ELECTRIC PATIENT LIFTER P465



- A. Lift Arm
- B. Attachment (Sling) Cradle
- C. Up-Down Actuator
- D. Knee Pad
- E. Adjustable Base
- F. Dual Front Caster Wheels
- G. Foot Step
- H. Base Actuator (P465)
- I. Rear Caster Wheel with Brake
- J. Charging Cord
- K. Frame Mast
- L. Control Unit
- M. Push Handle Bar
- N. Hand Pendant
- O. Battery Pack

GENERAL GUIDELINES

GENERAL GUIDELINES contains important information for the safe operation and use of this Medical Device.

⚠ WARNING

1. Check all parts for shipping damage before using. In case of damage, DO NOT use the equipment.
2. The TUFFCARE patient lifter is NOT a transport device. It is intended to transfer a patient from one seated surface to another (such as from a bed to a wheelchair).
3. DO NOT attempt to transfer until the user is assessed by a qualified professional. Thoroughly read and fully understand the instructions in this Owner's Operating Manual.
4. TUFFCARE transfer slings are specifically designed to be used in conjunction with TUFFCARE patient lifters. Slings and accessories designed by other manufacturers are not to be utilized as a component of Tuffcare's patient lifter system.
5. The Rhino stand up lifter is intended to be used for patient within weight limit indicated for the lifter. DO NOT attempt to lift more than the weight limit indicated.

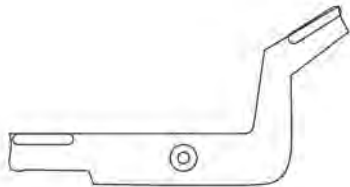
DANGER! RISK OF ELECTRICAL AND FIRE HAZARD. MAY RESULT IN DEATH, SERIOUS INJURY, SHOCK OR BURNS.

This charger, like all electrical products. MUST be treated with respect. Follow these instructions to reduce electrical hazard risk.

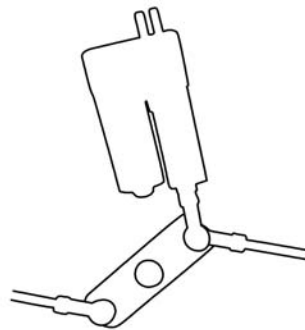
TO HELP REDUCE THIS RISK: PROPER GROUNDING OF AC POWER CORD

Charger MUST be grounded to reduce risk of electric shock. Charger is equipped with an electric cord that has an equipment grounding conductor and a grounding plug. The plug MUST be plugged into an outlet that is properly installed and grounded in accordance with all local codes and ordinances. If you ever feel even a slight shock from this or any electrical appliance, or equipment connected to it, such as your chair or carrier STOP. Turn off electricity to the outlet, and have it inspected by an electrician. You may have a dangerous, improperly wired outlet.

DANGER - NEVER alter AC power cord or plug provided. If it will not fit outlet, have a proper outlet installed by a qualified electrician. Improper connection can result in a risk of an electric shock. This battery charger is for use on a nominal 120 volt circuit (common household current), and has a grounding plug. A temporary adapter may be used to connect this plug to a two- pole receptacle if a properly grounded outlet is not available. The temporary adapter should be used only until a qualified electrician can install a properly grounded outlet.



Leg Adjusting Foot Pedal
(for P460 only)



Leg Adjusting Actuator
(for P465)

⚠ WEIGHT LIMIT

DO NOT exceed maximum weight limit of the patient lifter. The weight limit for the stand up patient lifter is 350lbs.

⚠ ASSEMBLING THE LIFTER

DO NOT over-tighten mounting hardware. It will cause damage to the mounting brackets.

⚠ USING THE SLING

Before attaching the sling onto the attachment holders on the lift arm, lift the hanging straps up to predetermine which color coded hanging points to use in order to avoid the sides of the sling riding up to the underarm causing patient discomfort.

Be sure that sling is properly attached on sling holders before the patient is removed from a bed, chair, or any objects.

If the patient is in a wheelchair, secure the wheel locks in place to prevent the chair from moving forwards or backwards.

⚠ OPERATING THE LIFTER

Prior to first use, make sure that battery is being fully charged. Always use the handles to move the lifter.

⚠ LIFTING THE PATIENT

Adjustments for safety and comfort should be made before moving the patient. Patient's arms should be outside of the sling straps.

Before lifting a patient from a wheelchair, bed or any objects, slightly raise the patient off the object and check that sling attachments are secured.

During transfer, with the patient suspended in a sling attached to the lifter, **DO NOT** roll the base over uneven surfaces that would create an imbalance of the patient lifter and could cause the patient lifter to tip over. Use handle on the mast at all times to move the patient lifter.

TUFFCARE suggests locking the rear casters **ONLY** when positioning or removing the sling (stand up or transfer) from around the patient.

TUFFCARE DOES NOT suggest locking the rear casters of the patient lifter when lifting a patient. When lift arm rises the center of gravity will shift and caster wheels will slightly move to balance the weight of the patient. Locking the rear casters could cause the lifter to tip over and endanger the patient and assistants.

⚠ TRANSFERRING THE PATIENT

Before transferring, check that the lifter's weight capacity can withstand the patient's weight.

Wheelchair wheel locks **MUST** be in a locked position before lowering the patient into the wheelchair for transport.

⚠ PERFORMING MAINTENANCE

Regular maintenance of patient lifter and accessories is required to assure proper operation.

Casters and axle bolts are also required to be checked for tightness.

DO NOT over-tighten mounting hardware. It will cause damage to the mounting brackets.

NOTE: See detail at Section 6 for maintenance.

⚠ PINCH POINTS

Pinch points exist at base of lifter. Use caution, otherwise injury could occur.

ASSEMBLY

The lifter comes with pre-assembled main frame for easy assembly

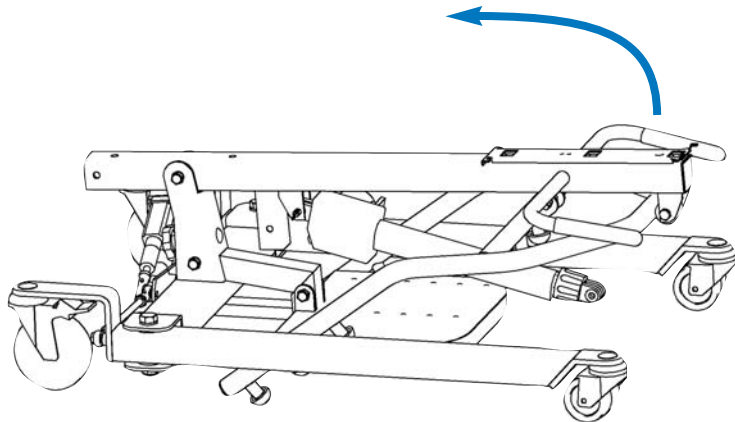
⚠ WARNING

Use only Tuffcare parts to complete this stand up patient lifter. Use team Lift! This is a heavy product, assistance is needed to preform the assembly.

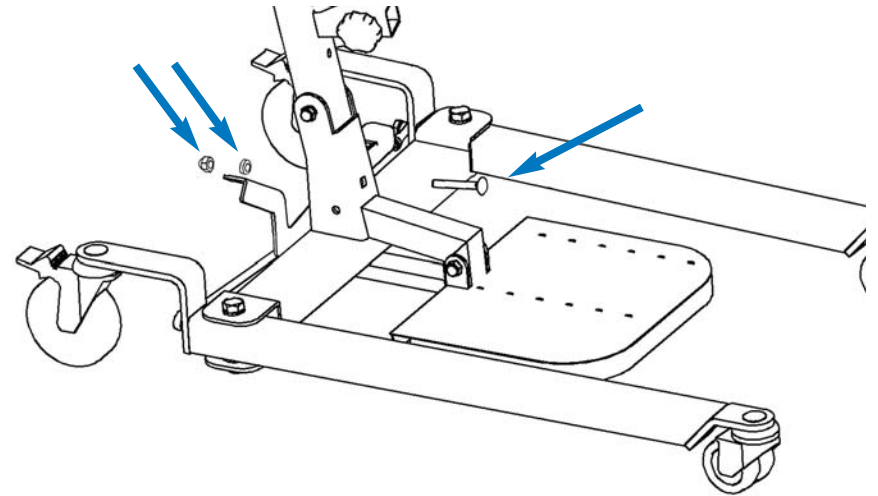
ASSEMBLING THE MAST ASSEMBLY TO THE BASE



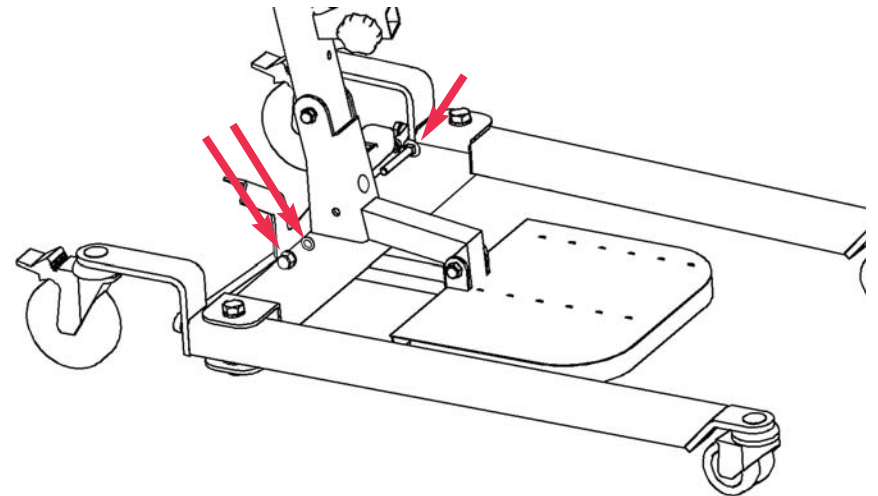
1. Set the unit on the floor. Lock both rear casters to prevent the base from sliding before lifting up the mast.



2. With one person lift up and holding the mast, a second person can assist in perform the securing the mast to the bracket on the base.



3. Line up the hole between the mast and the middle of the base bracket. Insert the carriage bolt through the holes and secure with the lock nut and thick washer on the other side.



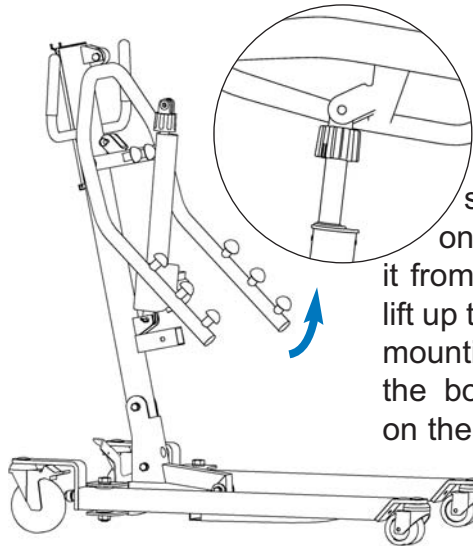
4. Insert the other carriage bolt through the lower side holes from the right side, note that the hole on the right of the base bracket is a square hole. Then secure with the lock nut and washer on the other side.

• Use the included wrench to secure and tighten all hardware.

⚠ WARNING

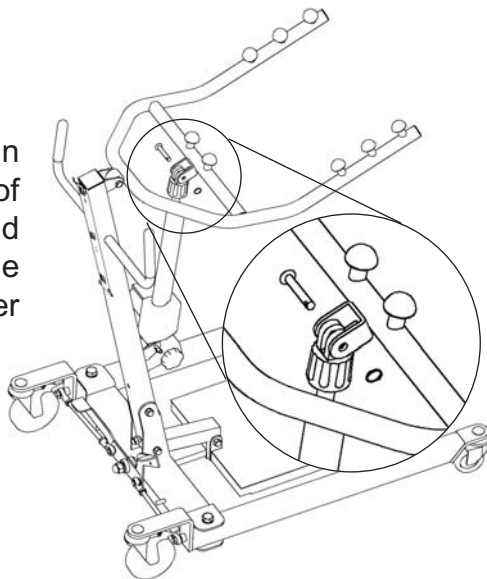
Use only Tuffcare parts to complete this stand up patient lifter. Use team Lift! This is a heavy product, assistance is needed to preform the assembly.

ATTACH THE UP-DOWN ACTUATOR TO THE LIFT ARM

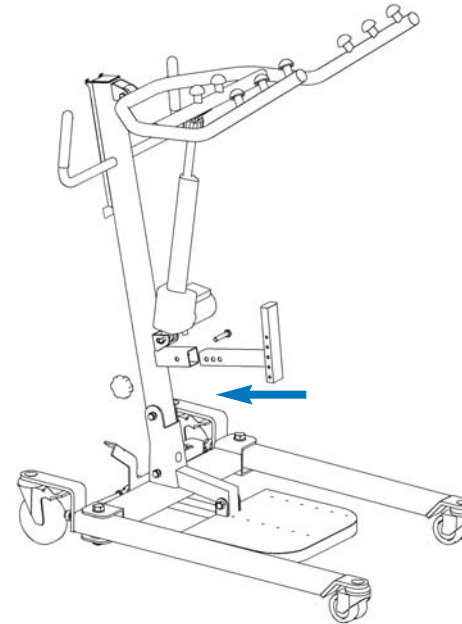


1. Unwrap the secure straps on the actuator, with one person holding to prevent it from dropping, a second person lift up the lift arm and align the top mounting holes on the actuator to the bottom side actuator holder on the lift arm.

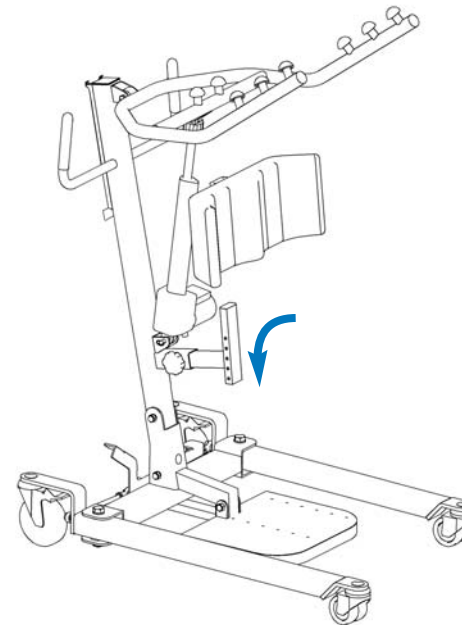
2. Install the Clevis pin through the top holes of the up-down actuator and arm bracket, use the retaining ring on the orther side to secure.



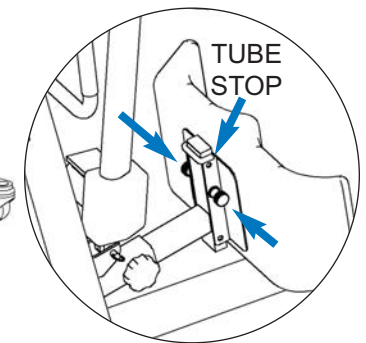
ATTACH THE KNEE PAD TO THE MAIN FRAME



1. Insert the knee pad mounting tube onto the receptacle tube locate under the up and down actuator. Secure with the attached bolt and knob. Use the holes on the mounting tube to adjust knee pad to suitable depth.

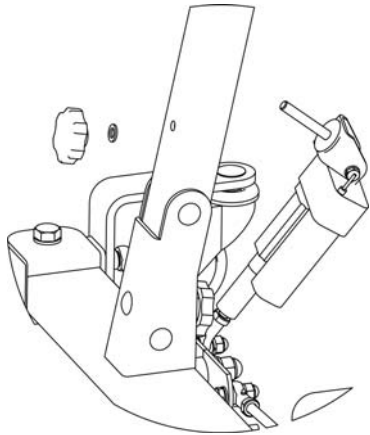
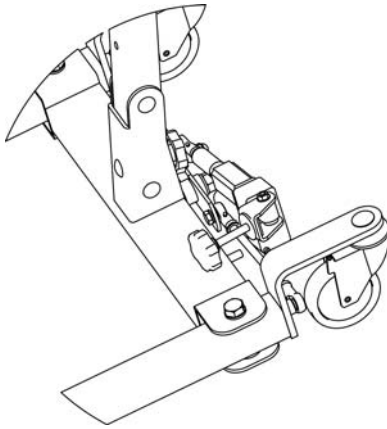


2. With the tube stop facing up, slide the the knee pad over the top of the mounting tube, slowly lowers it and line up the setting pins on two sides with the retainer holes. Adjust to desirable height.



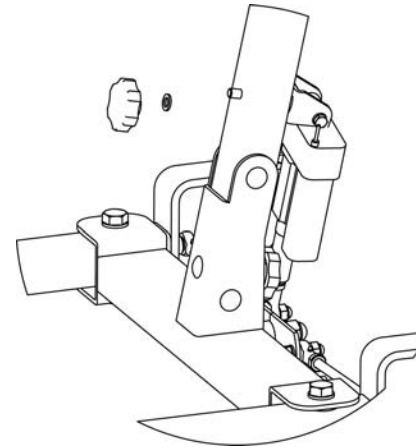
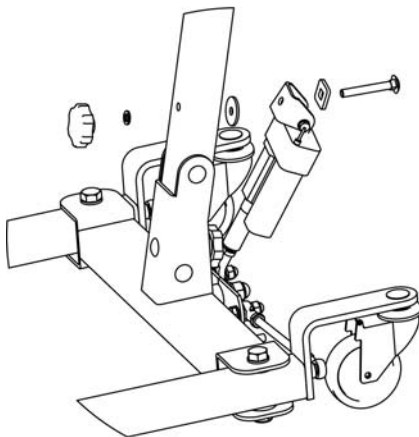
ATTACH THE POWER BASE ACTUATOR TO THE MAST ASSEMBLY (FOR P465 ONLY)

1. Locate the base actuator at the space between the two rear casters.



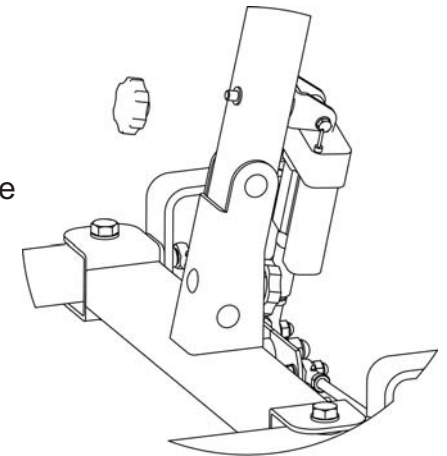
2. Turn counter clockwise to remove the knob and the 1st small flat washer that was on top of the actuator through bolt.

3. Install the bolt through the hole in the mast. make sure the 3 included washers are lined up like the diagram.

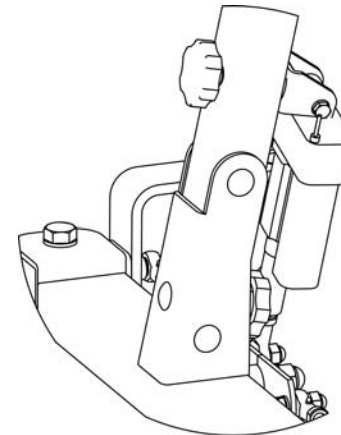


4. Place the small flat washer onto the bolt.

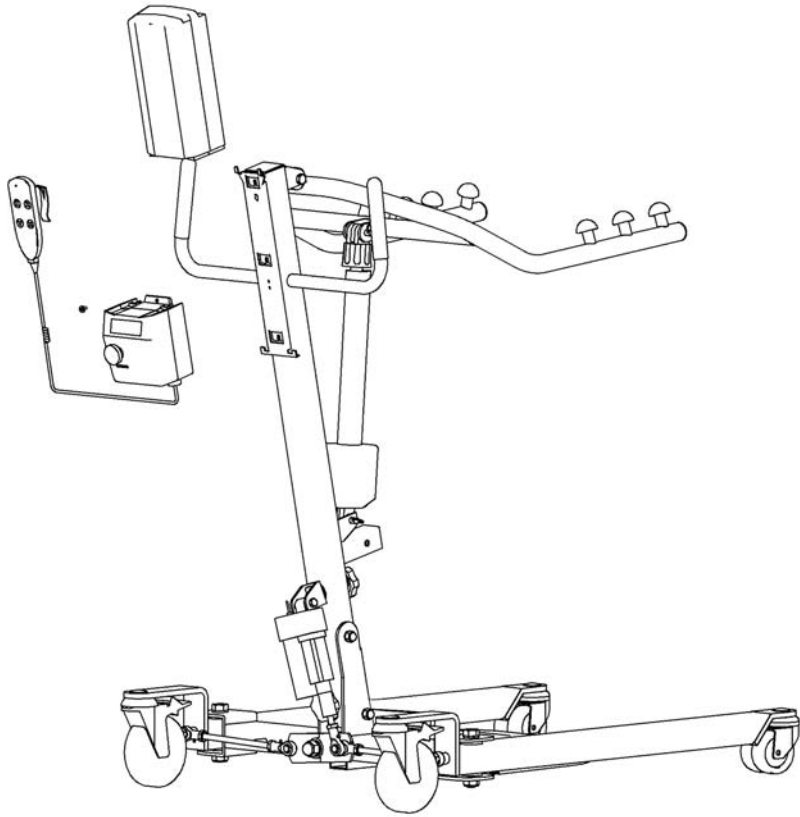
5. Follow by the threading the knob onto the bolt.



5. Turn clockwise to tighten the bolt, if needed use the included wench(17mm) to hold the other side of the bolt while turning.



ATTACHING DRIVE UNIT

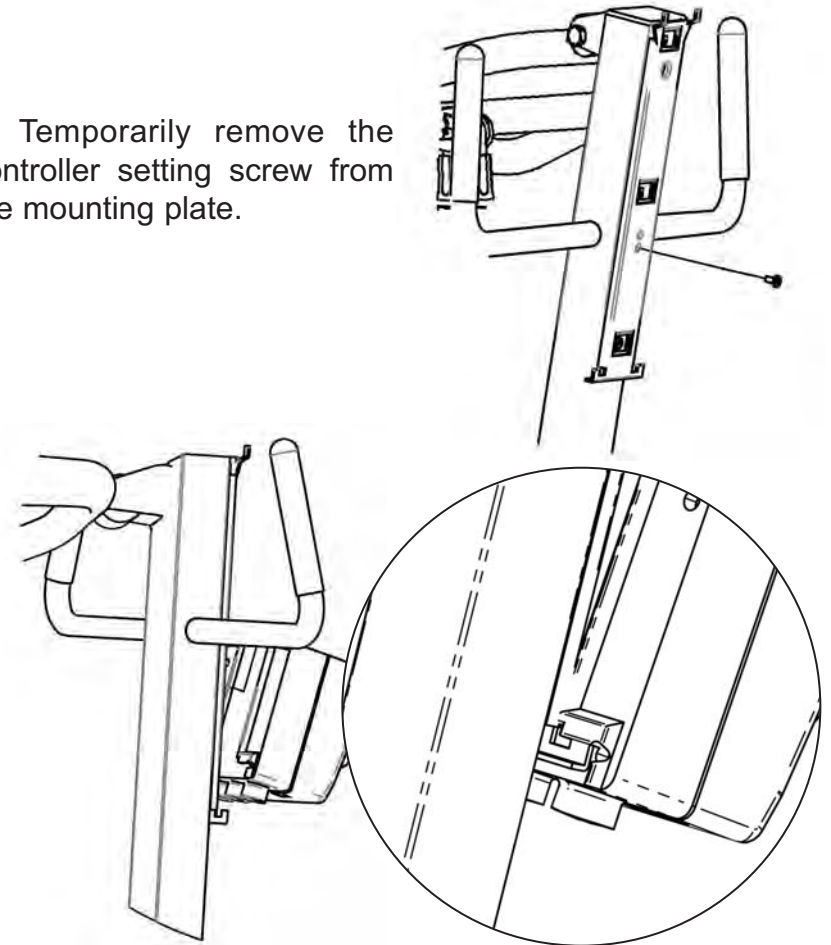


⚠ WARNING

Make sure there is an audible click when plugging battery pack onto the control unit. Otherwise, injury or damage may occur.

ATTACHING THE CONTROL UNIT ON THE MOUNTING BRACKET

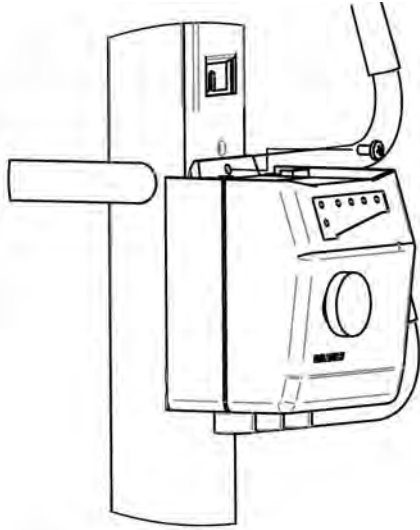
1. Temporarily remove the controller setting screw from the mounting plate.



2. Align the controller to the mounting plate at about a 5 degree angle.

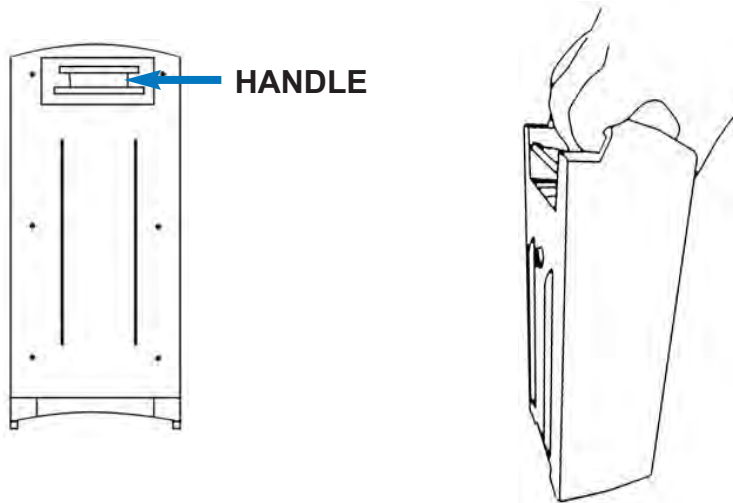
3. Make sure the 2 grooves at the lower back of the controller slide are positioned over the 2 extrusions at the bottom of the mounting plate.

**** Caution:** Failure to do so will result in an inoperable state of the unit. **

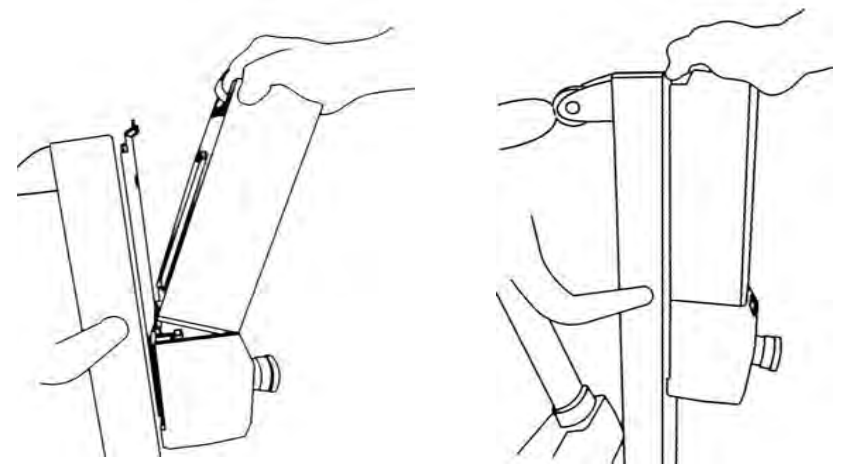


4. Place the controller mounting screw back into the same place and tighten.

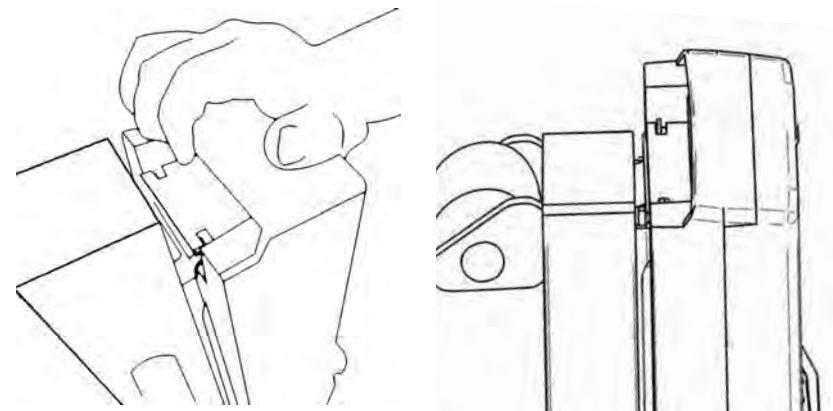
ATTACHING THE BATTERY PACK ON CONTROL UNIT



1. Hold the battery pack by its top handle on the backside of the battery. There is a spring loaded lever latch under the handle.



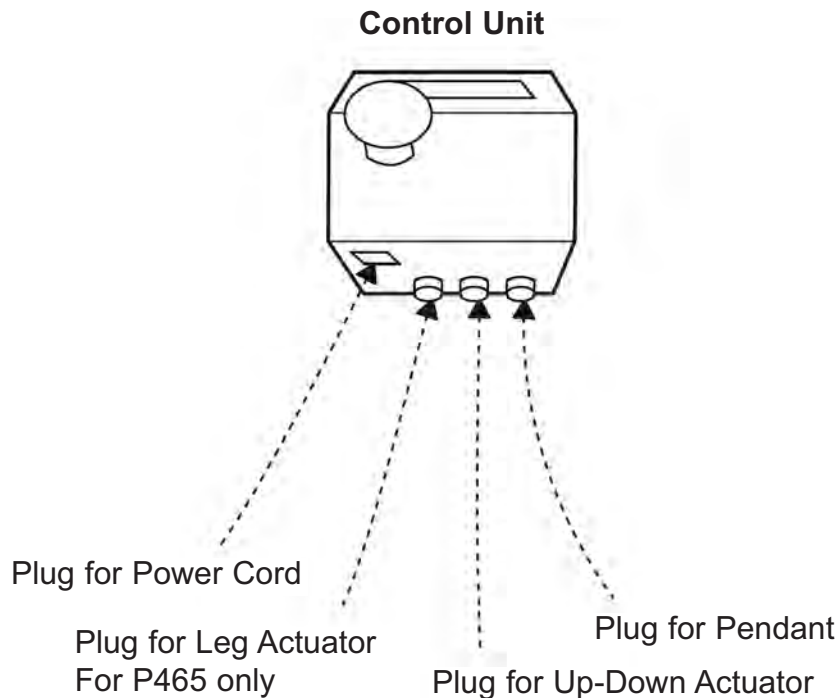
2. Set the battery pack on top of the controller at about a 5 degree angle.
3. While holding onto the lever latch inside the handle, move the battery pack parallel to the controller.



4. Make sure the latch plate is lifted up and set over the 2 extrusions at the top of the mounting plate.
5. Release the hold on the spring loaded lever latch. You will hear an audible click. The 2 holes on both sides of the latch plate should set on the 2 extrusion points on top of the mounting plate; securing the battery pack to the holder.

PREPARING THE PATIENT LIFT FOR USE

1. Plug the hand control, leg actuator (For P465 Power Base Lifters Only) and up-down actuator into the receptacles on the bottom of the control unit.
2. Check and tighten all hardware BEFORE operation.



3. Plug the power cord into common household 110 or 220 Volt AC receptacle to charge the battery.

NOTE: When plugged into an AC outlet the safe protect feature turns on disabling the control pendent from functioning. The unit will not function while plugged in.

CHARGING THE BATTERY

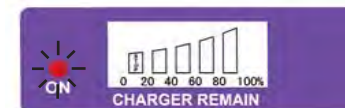
NOTE: It is suggested to recharge the battery daily to prolong its life cycle.

1. Place the battery on the control unit to charge battery. Push the top of the battery against the mounting bracket until there is an audible click, See more details on pages (15-16) for Attaching the Battery Pack onto the Control Unit.
2. Make sure the red emergency button is fully pulled out and at the on position. (When emergency button is pressed down, the circuit is off and the unit will not function or charge.
3. Plug the power code into a 110 Volt outlet.

NOTE: When plugged into an AC outlet the safe protect feature turns on, disabling the control pendent from functioning. The unit will not function while plugged in.

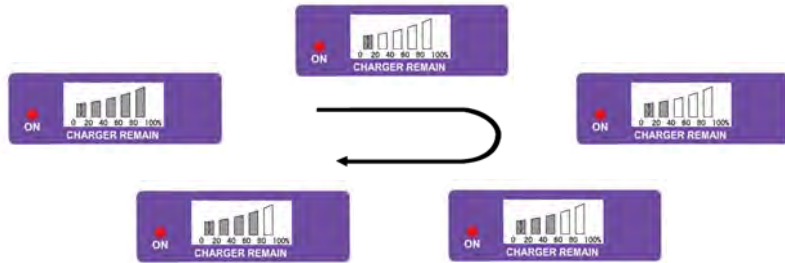
NOTE: The charge LED will light up red while charging. When fully charged, the LED will stop illuminating.

NOTE: It will take approximately (4) hours to charge a battery that requires a full charge.



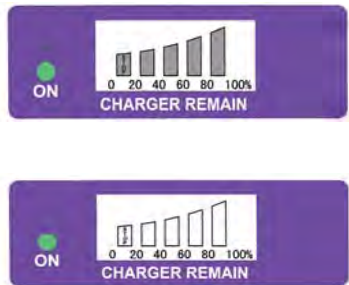
When the charging power cord is plugged into an electrical outlet, the red LED light on the left of the battery will come on. When the built-in charging system senses a drop in battery voltage, then the charging system automatically increases its output to re-charge the battery.

OPERATION



The bars on the battery meter will begin to flash based on the remaining percentage of the charge, the flashing bar slowly increases when the battery is taking charge. This indicates that the battery is charging on a fast mode “Bulk Charge”. Fast charging usually last for 30 min.

NOTE: If the charging cord is plugged in and the battery meter does not indicate this it suggests the circuit is off, the battery is fully charged, or a faulty battery(Have the battery pack replaced).



When the battery reserve reaches a desirable level the battery meter stops flashing and the LED turns from red to green. Now the battery meter will indicate a full gauge when all the bars light up. At this time the charger utilizes a slow charging “Absorption Charge”, leave charging for 4 to 6 hours.

When the battery becomes fully charged, the battery meter indicator bars turn off. Unplug the charging cord and the lifter will be ready for use.

⚠ WARNING

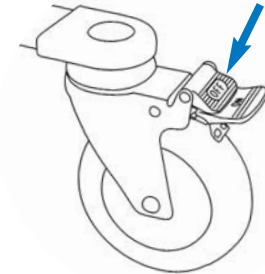
DO NOT attempt to transfer until the user is assessed by a qualified professional. Thoroughly read and fully understand the instructions in this Owner’s Manual.

LOCKING/UNLOCKING THE REAR CASTERS

LOCK



UNLOCK



RAISING/LOWERING THE PATIENT LIFT



P460



P465

Controls the Hi-low section

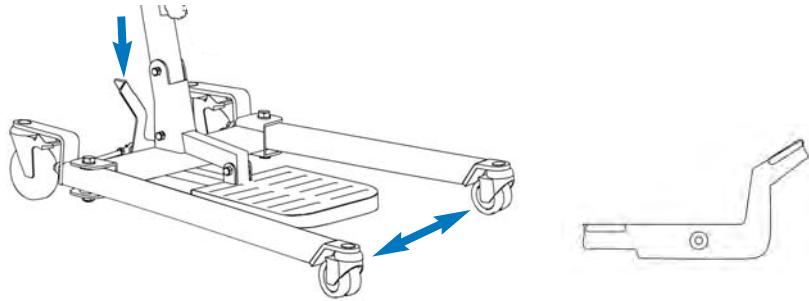
 **PRESS To Raise the Patient Lift**

 **PRESS To Lower the Patient Lift**

CLOSING/OPENING THE LEGS

To Open and Close the Legs on P460

Step down on left side of "Leg Adjusting Stepper" to close the legs
Step down on right side of "Leg Adjusting Stepper" to open the leg.



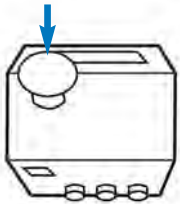
To Open and Close the Legs on P465



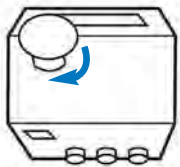
Press the open and close button on the hand control.

USING THE CIRCUIT OFF/EMERGENCY STOP

RED emergency button on Control Unit



OFF/ Push the RED emergency button in to stop the lift arms from raising or lowering.

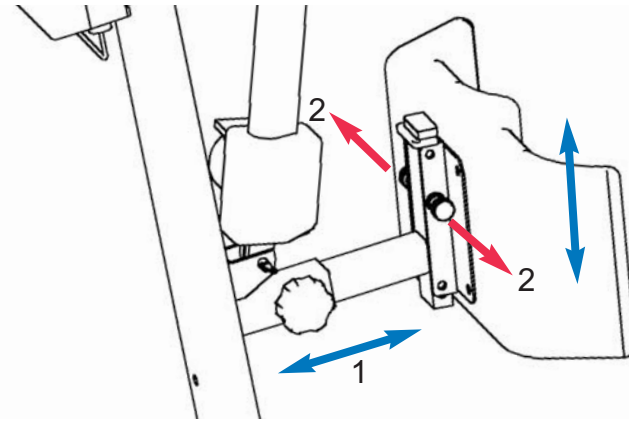


ON/ To reset, rotate the emergency button clockwise, an audible click can be heard when the circuit is engaged.

Red button out = Powered On, Red button pushed in = Power Off

NOTE: When emergency button is pressed down, the circuit is off and the unit will not function or charge.

ADJUSTING CALF PAD POSITION

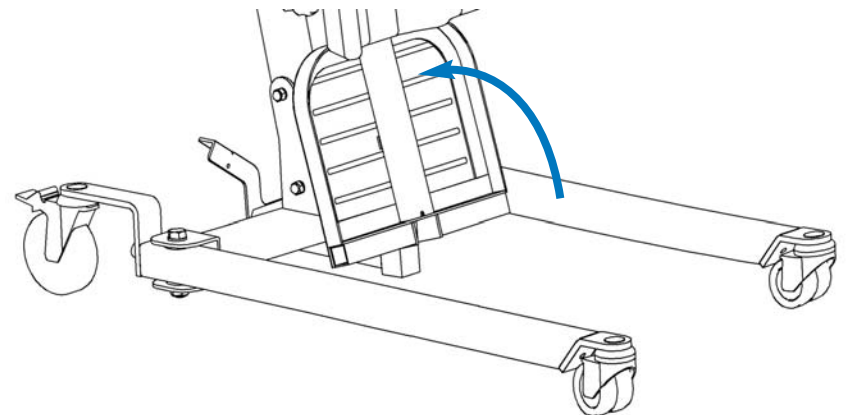


There are 3 depth and 5 height adjustment on the knee pad mounting tube to accommodate users of different figure.

1. Use the holes on the mounting tube to adjust knee pad to suitable depth.

2. Pull the setting pins out to free the knee pad. Slowly move knee pad up and down to desirable height. Line up the pins with holes on the sides, release pins and lock.

ELEVATE THE FOOT STEP

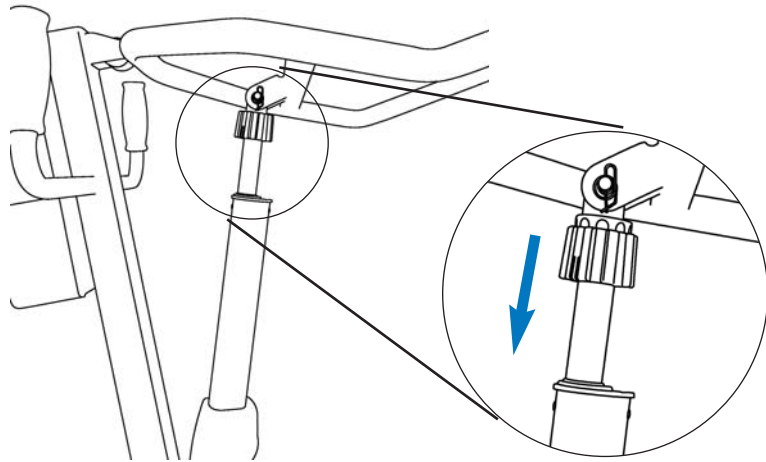


Lift the foot step up to get it out of the way when use for rehab walking.

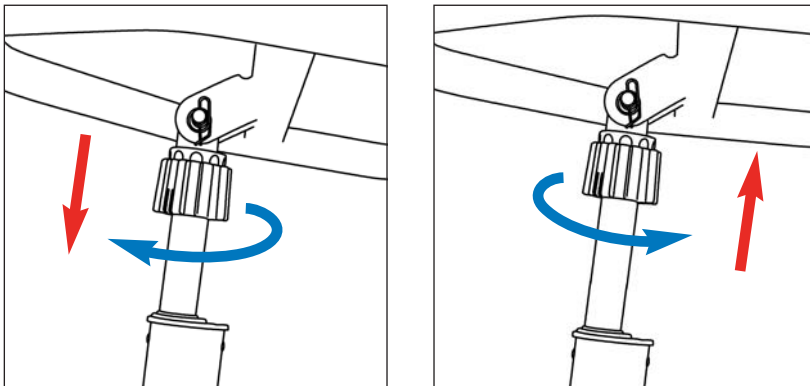
ACTIVATING A MECHANICAL EMERGENCY RELEASE

Emergency Release

To activate the emergency release, pull-down the **Red Knob** located on the top-end of Up-Down actuator drive shift.



1. Rotate the Red Knob clockwise to slowly lower down the lift arm.
2. Turn the Red Knob counter-clockwise to slowly lift up the lift arm.



3. Push the emergency red release knob back up reengage the gears for normal operation.

LIFTING THE PATIENT

⚠ WARNING

1. **DO NOT** exceed the maximum weight limit of 450/650 lbs
2. **DO NOT** attempt to transfer until the user is assessed by a qualified professional. Thoroughly read and fully understand the instructions in this Owner's Manual.
3. **ALWAYS** keep hands and fingers clear of moving parts to avoid injury. Individuals that use the universal patient sling **MUST** be able to support their own weight, otherwise injury may occur.
4. **DO NOT** move the patient if the patient lift sling is not properly connected to the attachment hooks on the lifting bar. Check that the patient sling is properly connected to the attachment holders **BEFORE** lifting the patient.
5. During transfer, with the patient suspended in the patient sling, **DO NOT** roll the base of the patient lifter over any uneven surfaces that would cause the patient lifter to become unstable.
6. **ALWAYS** use the handle on the mast assembly to move the patient lifter to ensure the safety of the user.

POSITIONING THE PATIENT LIFTER

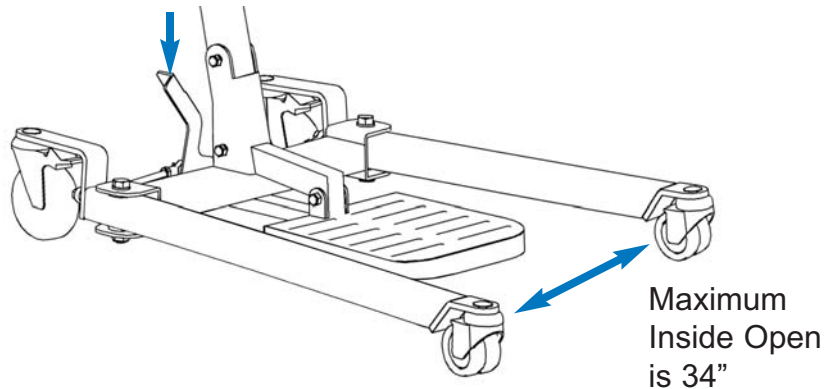
⚠ WARNING

The legs of the patient lifter **MUST** be in the maximum open position for stability and safety.

1. Open the leg section of the floor lift to obtain stability.

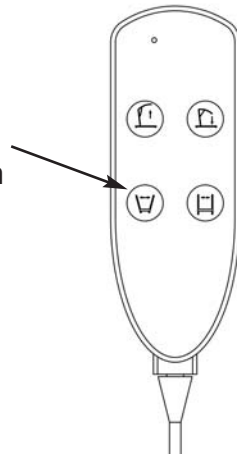
FOR P460: Step down on right side of “Leg Adjusting Stepper” to open the legs to the maximum open position.

Step down on right to OPEN

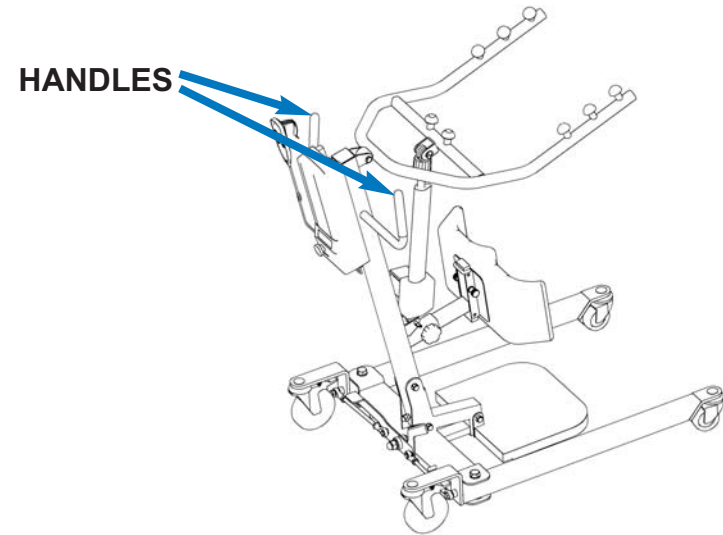


FOR P465:

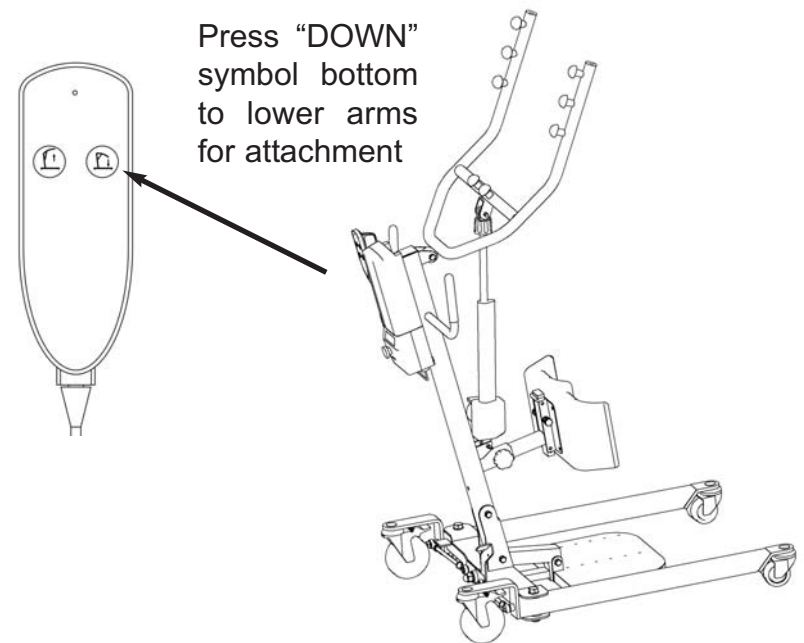
Press the “FOOT” – “OPEN” symbol button on the hand control to open the legs to the maximum open position.



2. Position the patient lifter using the handle on the mast.



3. Press the “LIFT” – “DOWN” button on the hand control to lower the lift arms for easy attachment to the sling.



TRANSFERRING THE PATIENT

⚠ WARNING

DO NOT attempt to transfer until the user is assessed by a qualified professional. Thoroughly read and fully understand the instructions in this Owner's Manual.

DO NOT move the patient if the straps on the sling are not properly connected to the attachment hooks of the patient lifter. Check that the sling is properly connected to the attachment hooks prior to lifting a patient.

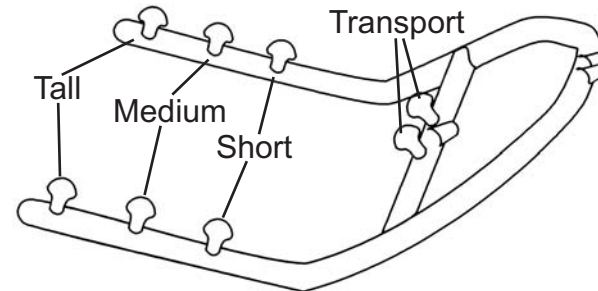
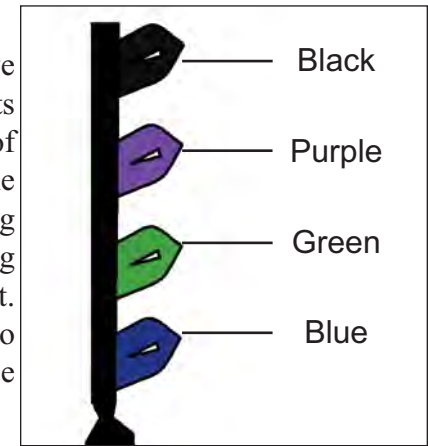
DO NOT use patient slings and patient lifter of different manufacturers. TUFFCARE slings are made specifically for use with TUFFCARE floor type patient lifter. Otherwise, injury or damage may occur. The legs of the patient lifter **MUST** be in the maximum open position for optimum stability and safety.

Be sure to check the sling attachments each time the sling is removed and replaced to ensure that it is properly attached before the patient is removed from a surface.

NOTE: Tuffcare recommends that two assistants be used when transferring a patient to a wheelchair. Ensure the legs of the lifter (with patient) are in the maximum open position.

Attaching Slings to Stand-Up Lift

All Tuffcare's Rhino slings have four color coded hanging points on the straps. Place the straps of the sling over attach points of the lift arm. Match the corresponding colors on each side of the sling for an even lift of the patient. Use the color coded hangers to place the patient in various angle positions.



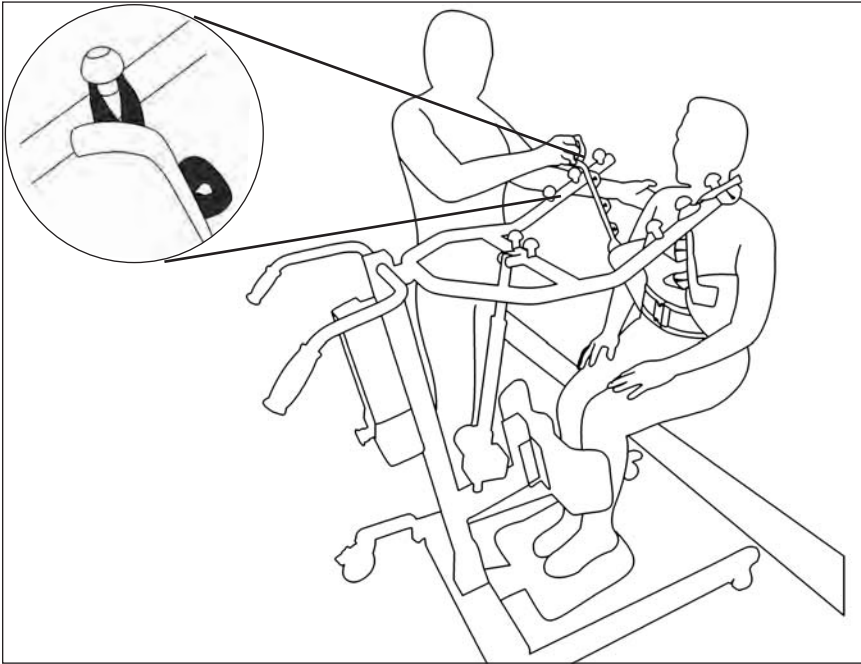
Attach Point	Suggest Height
Short	≥ 5'6"
Medium	5'6" - 5'10"
Tall	5'10"

Tuffcare's Rhino Stand-Up Lift's lift arm has three attachment knobs per side. Use the above chart as a guideline to determine best attachment point.

Warning!

Do not move the patient if the sling is not properly connected to the attachment points of the lift. Check that the sling is properly connected to the attachment points prior to lifting a patient. Attachment points include swivel bar, straps, S-hooks and D or O-rings. If any attachments are not properly in place, correct the problem. When the sling is elevated a few inches off the stationary surface and before moving the patient, check again to make sure that all sling attachments are secure. If any attachments are not properly in place, lower the patient back onto the stationary surface and correct this problem - otherwise, injury or damage may occur.

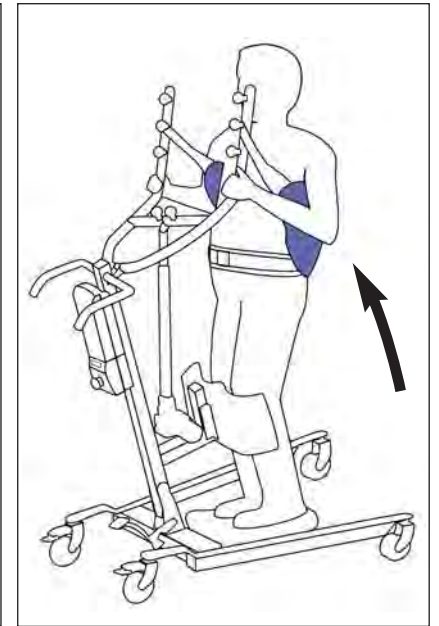
Attach Standing Sling



Determine the best attachment point for the standing sling on each lift arm. Use the chart on page 30 as a guideline to determine attachment point. Always use the color coded strap on the standing sling closest to the patient while still maintaining patient stability and comfort. Make sure the color coded strap sits flush against the attachment knob.



* Once it is in the proper place, have the user lean back into the standing sling so the weight is centered on their back. This allows the sling to pull them up without having it slide up and put the weight and strain on the user's under-arms.

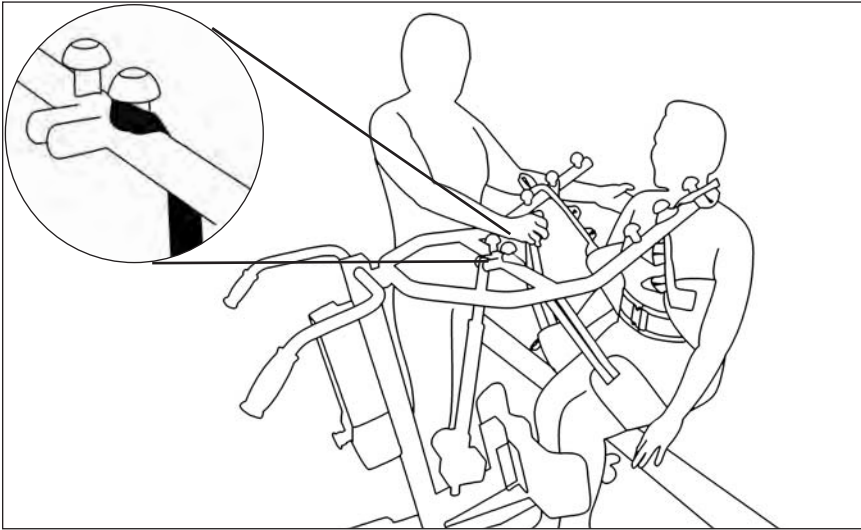


Before lifting the patient, make sure that the bottom edge of the standing sling is positioned on the lower back of the patient and the patient's arms are outside the standing sling. Check that the sling is properly connected to the attachment points prior to lifting a patient. When the patient is being elevated a few inches off the stationary surface and before moving the patient, check again to make sure that all sling attachments are secure. If any attachments are not properly in place, lower the patient back onto the stationary surface to secure the attachment.



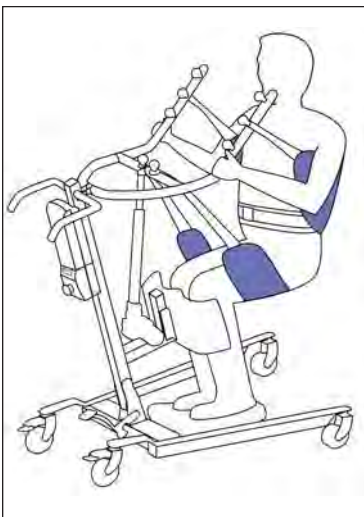
Depending on the strength of individual patient, rise the lift arm to desired height. Do not over lift patient as it may cause injury to the patient.

Attach Buttock Strap



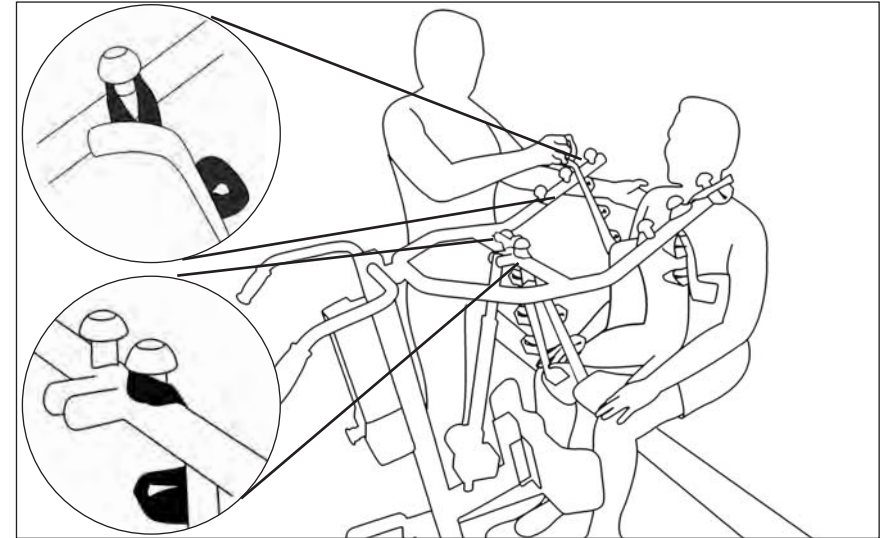
Make sure the color coded strap sits flush against the attachment knob. Loop the hanging strap on both end of the buttock strap on to the transport attachment in the middle of the lift arm.

* Once it is in the proper place, have the user lean back into the standing sling so the weight is centered on their back. This allows the sling to pull them up without having it slide up and put the weight and strain on the user's underarms.

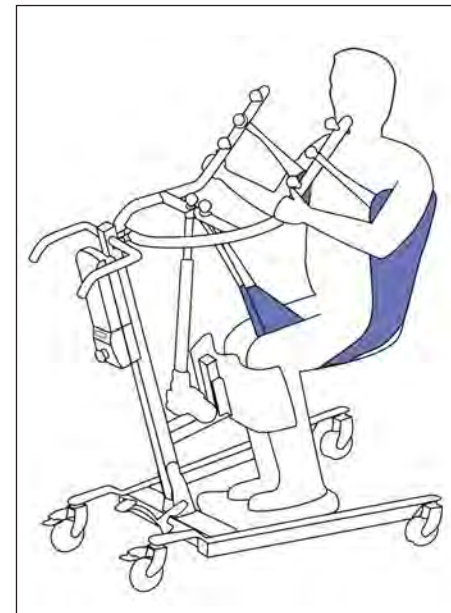


Before lifting the patient, make sure that the bottom edge of the standing sling is positioned on the lower back of the patient and the patient's arms are outside the standing sling. Check that the sling is properly connected to the attachment points prior to lifting a patient. When the patient is elevated a few inches off the stationary surface and before moving the patient, check again to make sure that all sling attachments are secure. If any attachments are not properly in place, lower the patient back onto the stationary surface to secure the attachment.

Attach Transport Standing Sling



Determine the best attachment point for the standing sling on each lift arm. Use the chart on page 32 as a guideline to determine attachment point. Always use the color coded strap on the standing sling closest to the patient while still maintaining patient stability and comfort. Make sure the color coded strap sits flush against the attachment knob.

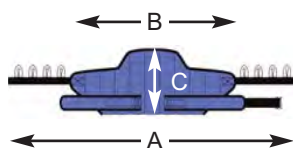


Before lifting the patient, make sure that the bottom edge of the standing sling is positioned on the lower back of the patient and the patient's arms are outside the standing sling. Check that the sling is properly connected to the attachment points prior to lifting a patient. When the patient is elevated a few inches off the stationary surface and before moving the patient, check again to make sure that all sling attachments are secure. If any attachments are not properly in place, lower the patient back onto the stationary surface to secure the attachment.

LIFT SLING TYPE REFERENCE

Tuffcare Rhino stand up lift slings are made with a three layer soft but sturdy polyester fabric which provides comfort and protects patients who may have sensitive skin. Along with preventing the patient from sliding in the sling, our Tuffcare Rhino slings are universal and will accommodate any 2, 4 or 6 point lift arm from other suppliers.

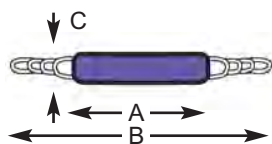
STANDING SLING is designed to be used only with a stand up lift only. It will accommodate patients who have weight bearing capacity along with head and neck control and are able to bend at the knees, hip and ankles. Our Tuffcare standing sling provides patient dependence along with effective easy transferring a patient from the bed to a toilet, shower chair or chair.



Model#	Size	A	B	C	Recommend Weight
P141	M	68"	16"	38"	99 - 210 lbs
P142	L	74"	16"	44"	198 - 315 lbs
P143	XL	84"	16"	58"	310 - 450 lbs

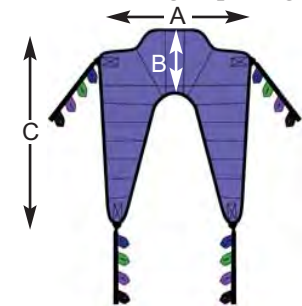
Belt: medium 22"- 40", large 35"- 53", x large 40"- 60"

BUTTOCK STRAP is to be used in conjunction with a universal sling and not to be used by itself. The buttock strap works perfect for those days that the patient needs some extra help and security while using there sit to stand lift. The buttock strap works by placing the strap underneath the patients' bottom and this will allow the patient to sit in the buttock strap like a swing and will relieve some of the extra weight on their legs.



Model#	Size	A	B	C	Recommend Weight
P147	L	35"	71"	7.5"	99 - 450 lbs

TRANSPORT STANDING SLING is designed to be used only with a stand up sling. It will accommodate patients who have weight bearing capacity along with head and neck control and are able to bend at the hip, knees and ankles an can sit up on the edge of the bed surface. The Transport standing sling is used for simple transfers or transporting patients for longer distances while being in a seated position and will accommodate toileting due to its large opening.



Model#	Size	A	B	C	Recommend Weight
P152	L	34"	14"	40"	99 - 300 lbs
P153	XL	46"	14"	44"	225 - 450 lbs

⚠ WARNING

When elevated a few inches off the seating surface of the wheelchair and before moving the patient, check again to make sure that all hardware and straps/chains are properly connected. If any attachments are **NOT** properly in place, lower the patient completely to correct this problem.

Adjustments for safety and comfort should be made before moving the patient. Patient's arms should be inside of the chains or straps.

TUFFCARE slings and Hardware are designed specially for use with TUFFCARE Patient Lifter. For the safety of the patient, **DO NOT** intermix slings and patient lifter of different manufacturers.

MAINTENANCE

CLEANING THE LIFT

- The lift can be cleaned with non-abrasive cleaners. Make sure that the wheels are free of hair, lint and other debris.

DETECTING WEAR AND DAMAGE

- Check monthly that all screws are tight and have not loosened.
- Check monthly for damaged or exposed wires on the electrical components.
- Inspect monthly for signs of cracking, fraying, or any deterioration.
- Contact your equipment provider for replacement of any defective parts immediately and ensure that the lift is not used until repair job is completed.

LUBRICATING THE LIFT

- A light grease lubricant may be applied to the ball bearing and swivel of the casters every three months.

PERFORMING REGULAR MAINTENANCE

- Regular maintenance of the lift and accessories is required to ensure proper operation. The casters and axle bolts are also required to be checked for proper tightness.

LIMITED WARRANTY

The warranty below has been drafted to comply with Federal Law applicable to products manufactured after July 4, 1975. This warranty is extended only to the original purchaser/consumer (or dealer non-consumer who does not buy for resale).

Tuffcare® warrants that it's Rhino Series patient lifters will be free from defective workmanship and materials for a period of three (3) years following the date of original manufacture with the following exceptions: All welds are warranted for the life of the lift. Electronics on the lifters are warranted for one (1) year. The warranty period commences on the original manufacture date. If within such warranty period any such product proven to Tuffcare® satisfaction to be defective, such product will be repaired or replaced at Tuffcare® option.

Tuffcare® sole obligation and your exclusive remedy under this warranty shall be limited to such repair and/or replacement. This warranty does not include any labor charges incurred in replacement parts installation. Freight charges to the factory are at the expense of the consumer or seller. Return freight charges will be prepaid by Tuffcare®. For warranty service, please contact the authorized dealer from whom you purchased your Tuffcare® products. In the event that you do not receive satisfactory warranty service, please write directly to: Tuffcare®: 4977 La Palma Ave, Anaheim, California, 92807. DO NOT RETURN PRODUCTS WITHOUT PRIOR AUTHORIZATION.

LIMITATIONS AND EXCLUSIONS: The foregoing warranty shall not apply to products subjected to negligence, abuse, misuse, improper operation, improper maintenance, improper storage or damages beyond Tuffcare® control. The evaluation will be solely determined by Tuffcare®. The warranty shall not apply to problems arising from normal wear, or failure to follow instructions, or if parts are not manufactured by Tuffcare®, or do not comply with original equipment specifications that are added to Tuffcare® product.

THE FOREGOING WARRANTY IS EXCLUSIVE AND IN LIEU OF ALL OTHER WARRANTIES, INCLUDING BUT NOT LIMITED TO THE IMPLIED WARRANTIES OF MERCHANTABILITY AND FITNESS FOR A PARTICULAR PURPOSE AND SHALL NOT EXTEND BEYOND THE DURATION OF THE EXPRESS WARRANTY PROVIDED HEREIN. TUFFCARE® SHALL NOT BE LIABLE FOR ANY CONSEQUENTIAL OR INCIDENTAL DAMAGES WHATSOEVER.

This warranty gives you specific rights and you may also have other legal rights which vary from state to state. Some states do not allow the exclusion or limitations of incidental or consequential damage, or limitation on how long an implied warranty