

*Century T4000 Full
Electric Bariatric Homecare
Bed Installation and
Operating Instructions*

ATTENTION

Before using this Medical Device read this manual. If you are unable to understand, contact your equipment provider for technical support before attempting to use this product.



TABLE OF CONTENTS

Table of Contents	1
Forward	2
Safety Precautions	3
Assembly Precautions	3
Product Diagram	4
Product Specifications	5
Main Components	6
Assembly	
Head & Footframe	7 - 11
Head & Footboard	12
Drive Shafts	13 - 15
Reinforcement Brackets	16 - 17
Half Bed Side Rails	18 - 19
Operation	
Locking/Unlocking the Caster Brakes	20
Raising/ Lowering the Bed	21
Emergency Hand Crank	22
Junction Box Functions	23
Raising/Lowering the Bed Side Rails	24
Maintenance	25
Warranty	26

FORWARD



Congratulations on your purchase of a TUFFCARE Century™ Bariatric bed. Our bariatric bed is a heavy duty bed that holds up to 600 lbs. It is specially engineered and designed for Alzheimer residents or others with chronic impairments which will reduce their degree of independence in their daily activities. The T4000 is a fully electric adjustable bed. The bed height, head, and foot angle functions are all motor controlled by a stylish hand pendant with a blue LED back light. Includes an emergency handcrank that that turns the head, foot, and height motors during a power failure.

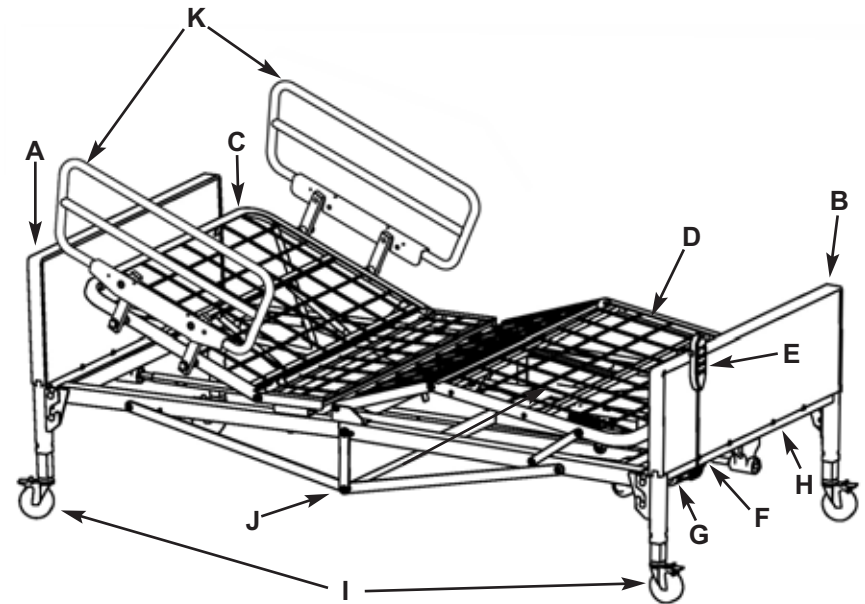
SAFETY PRECAUTIONS

- ⚠ Do not operate your bariatric homecare bed until you have read and fully understood this manual. If you are unable to understand, contact your equipment provider for technical support before attempting to use this bed.
- ⚠ Do not operate your bariatric bed until it is fully assembled and checked.
- ⚠ Do not place arms or head into the frame during operation. Stand clear of the device frame before operating. Operating this device with any part of the body in the frame can result in injury.
- ⚠ Do not leave loose clothing or yourself in between moving parts. Keep fingers and arms away when bed is in movement. Pinch points exist at the base of the bed. USE CAUTION, otherwise injury could occur.
- ⚠ Do not use if power cord is cut, frayed or loosely connected to the device.
- ⚠ Do not expose electrical components to any highly flammable items. Power cord may be damaged by inappropriate handling, kinking, shearing or other forms of mechanical damage.
- ⚠ Do not position the bed to make it difficult to disconnect from power grids.
- ⚠ Do not plug into an inadequate electrical outlet. To avoid the risk of electrical shock, this equipment must only be connected to power grids with an earthing protection system. The power supply cord can only be replaced by service personnel.
- ⚠ Do not expose your institutional bed to weather or moisture.
- ⚠ Do not exceed maximum weight limit of the bed. The weight limit for the bed is 600 lbs.
- ⚠ Do not modify equipment without authorization of the manufacturer. After reading the instructions, it should be put in a place where it can be seen at any moment.

ASSEMBLING PRECAUTIONS

- ⚠ Pre-assembled one piece grid design frame with fully loaded electronics system requires minimal set up.
- ⚠ Do not over-tighten mounting hardware, It will cause damage to mounting brackets.
- ⚠ Be sure that bed side rails are properly attached on the main frame before the patient is moved into the bed.
- ⚠ Secure the caster locks in place to prevent the bed moving.
- ⚠ The medical bed should be left in its lowest position when the patient is unattended in order to reduce RISK of injury due to falls.

PRODUCT DIAGRAM



- | | |
|-----------------------|----------------------------|
| A. Headboard | B. Footboard |
| C. Head Frame | D. Foot Frame |
| E. Hand Pendant | F. Hi-Low Motor |
| G. Head Section Motor | H. Foot Motor & Controller |
| I. Caster with Lock | J. Reinforcement Bracket |
| K. Half Bedside Rails | |

WARNING SAFETY ALERT LABEL

1. BEWARE OF SIDE-RAIL ENTRAPMENT

⚠ WARNING SAFETY ALERT BEWARE OF SIDE-RAIL ENTRAPMENT

Patient Entrapment with bed side rails may result in serious injury or death. ALWAYS evaluate patient for bed rail entrapment and guard against it in accordance with medical protocols. Monitor patient frequently. Mattress MUST fit bed frame and side rails snugly to prevent entrapment. There may be an increased risk of entrapment when bed rails are used in conjunction with low air loss products. Follow the Safety Warnings and Operating Instructions in the service/User's manual. Contact your dealer or visit WWW.TUFFCARE.COM.

2. CRUSH HAZARD DUE TO LOW BED CLEARANCE

⚠ WARNING Crush Hazard due to LOW BED CLEARANCE

Stay clear of frame and ensure children and pets are not under or near the frame before lowering the bed. Beware of PINCH POINTS below deck panels, next to fixed attachments, and between moving parts.

PRODUCT SPECIFICATION

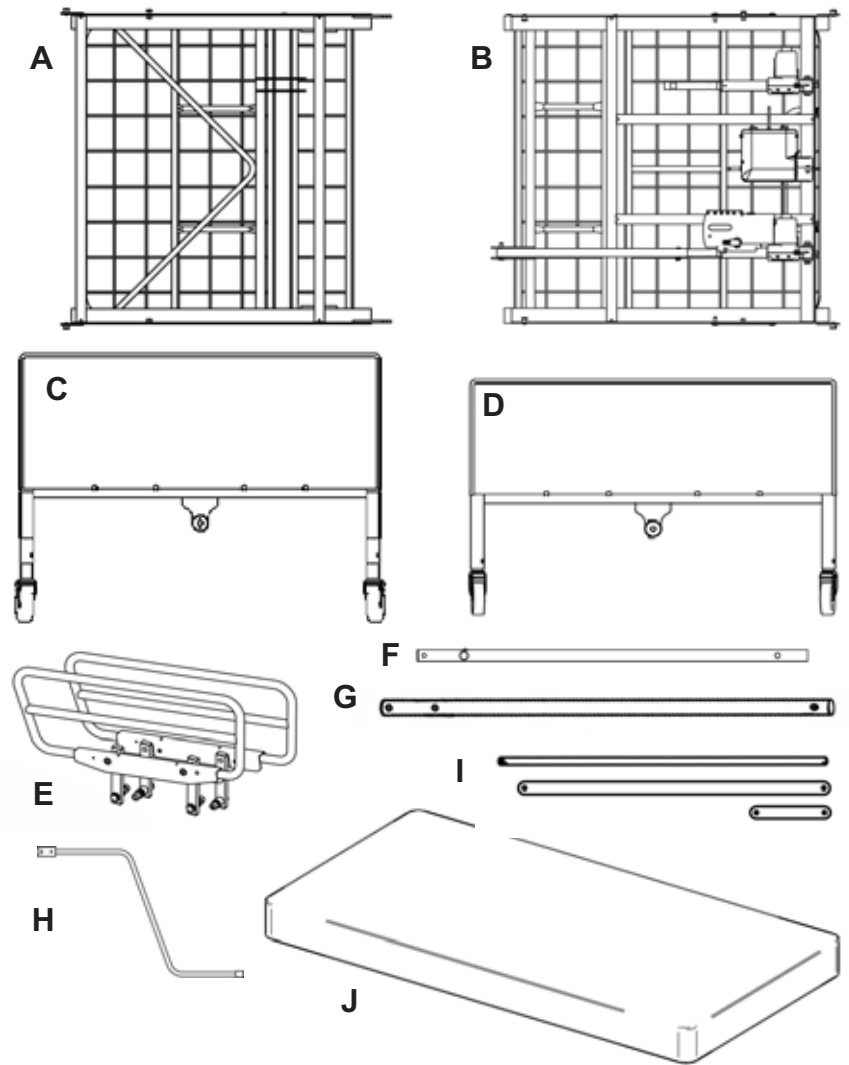
- Control Operation:** Tri DC Motors System with 4 Function Pendant
- Bed Fabric Height:** 18 - 25 inches
- Sleep Surface:** 42 x 80 inches,
- Overall Length:** 88 inches
- Overall Width:** 42 inches w/o Side Rail, 48 inches w/Rail
- Overall Height (with Side Rail Up):** 34 - 41 inches
- Maximum Back Angle to Horizontal:** 65 degrees
- Maximum Knee Angle to Horizontal:** 43 degrees
- Maximum Knee to Leg Angle:** 120 degrees
- Casters:** 4x 5" Swivel Casters with Braking System
- Rail Height (from Fabric):** 16 inches
- Head Board Height (from Fabric):** 12 1/2 inches
- Foot Board Height (from Fabric):** 10 1/2 inches
- Weight Capacity:** 600 lbs
- Weight:** 246lbs
- Emergency Manual Hand Crank:** Yes
- Emergency Backup Battery:** No
- Limited Warranty Bed/Electronics:** 3 Years/1 Year

UNPACKING

Remove the bed from packing case or pallet and examine deck and frame for shipping damage. If damage is detected in shipping, contact the freight company and file a damage claim.

Dispose of the removed packaging at your local recycling center. Discard the wrapper and box separately. At the product's end of life, dispose of it cleanly.

MAIN COMPONENTS



- A. Head Frame** **B. Foot Frame**
C. Headboard Assembly **D. Footboard Assembly**
E. Bariatric Half Rails **F. Hi/Low Drive Shaft**
G. Head Motor Extension Shaft
H. Emergency Crank **I. Reinforcement Kit**
J. High Density Foam Mattress

ASSEMBLY

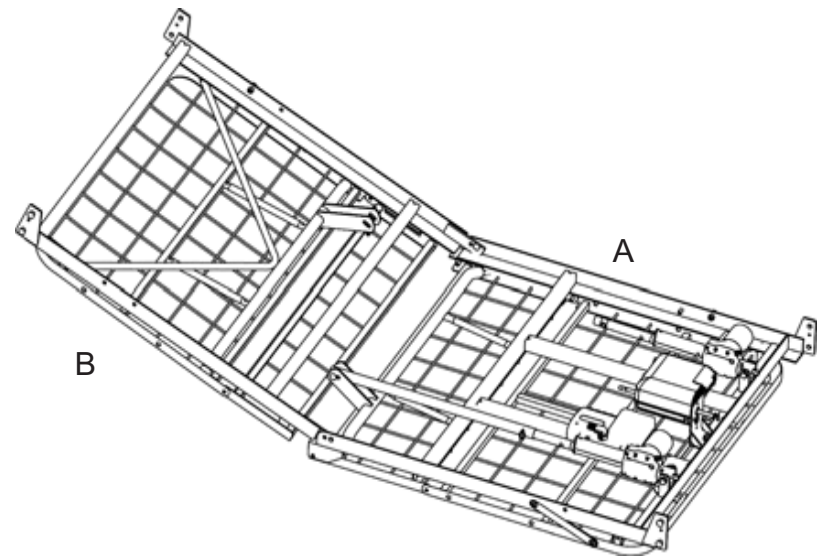
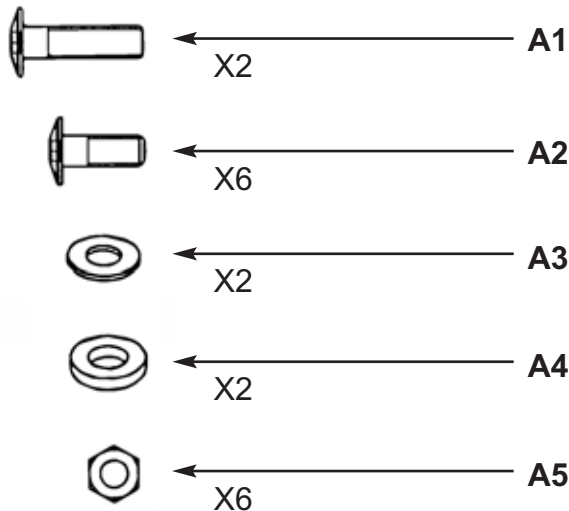
⚠ WARNING

Heavy object team lift required.
Use only Tuffcare parts to complete this bed assembly.

ASSEMBLING THE HEAD/FOOT MAIN FRAME TOGETHER

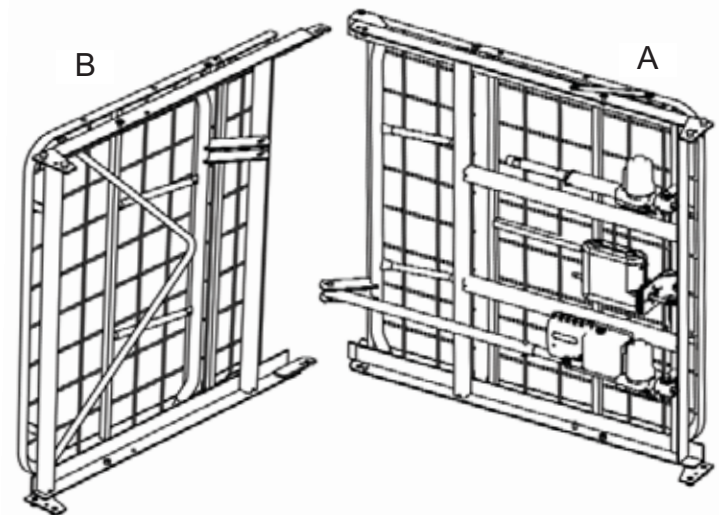
Hardware Pack

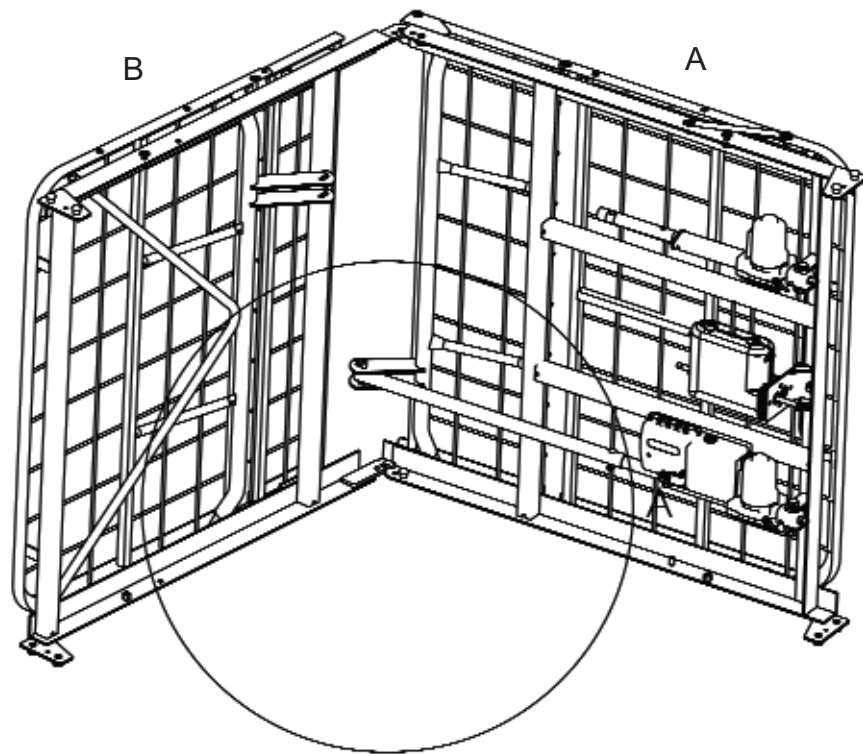
- A1.** 2 pcs of Flanged Socket Head Cap Screws
- A2.** 6 pcs of Flanged Socket Head Cap Screws
- A3.** 2 pcs of Flat Washer
- A4.** 2 pcs of Flat Washer
- A5.** 6 pcs of Nylon Lock Nut



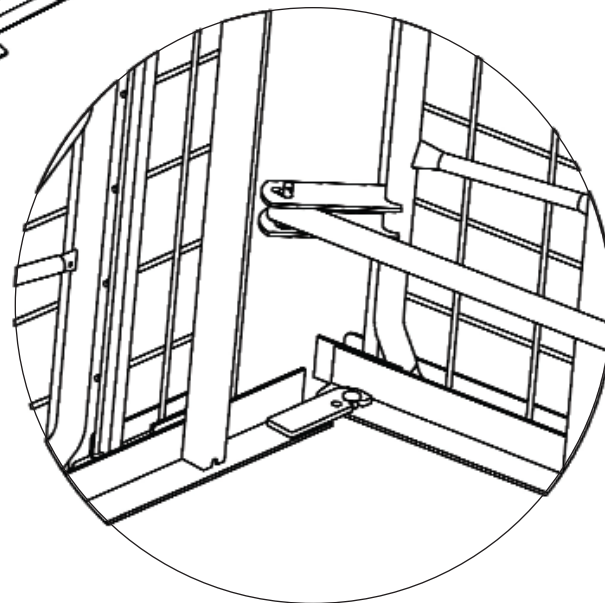
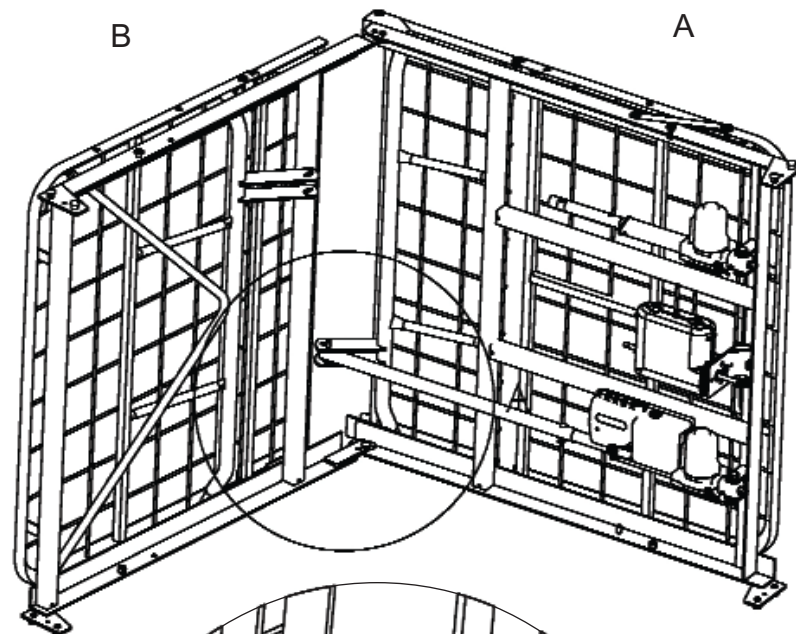
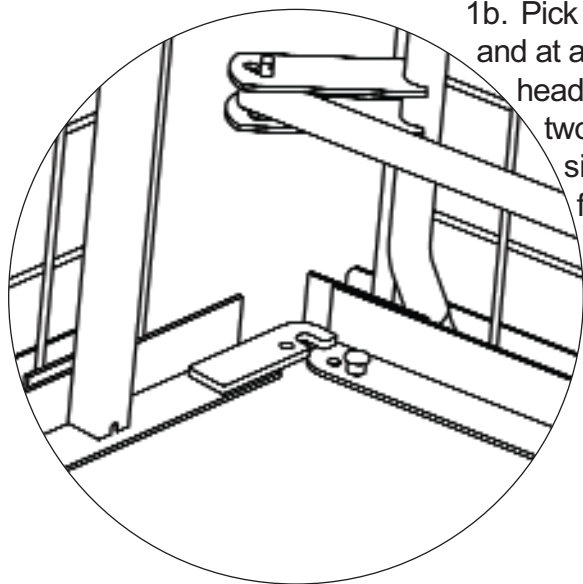
1a. First step, assemble the foot(A) & head(B) frame. It can be assembled with the foot section upside down, flat on the floor with the rungs facing the floor, or with the foot section on its side, whichever is easier. Motor and cranks should be on the left side.

Caution: This step requires two people, do not attempt to do the installation alone.

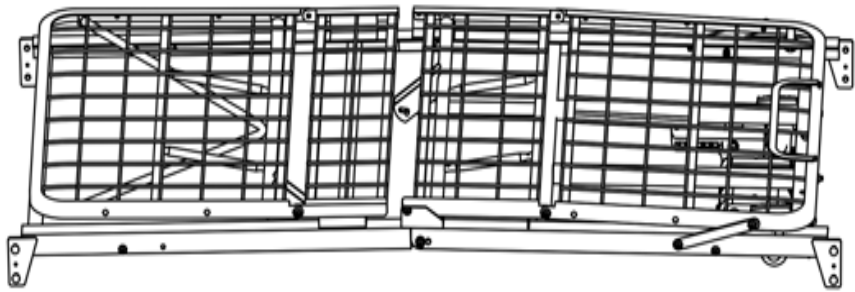




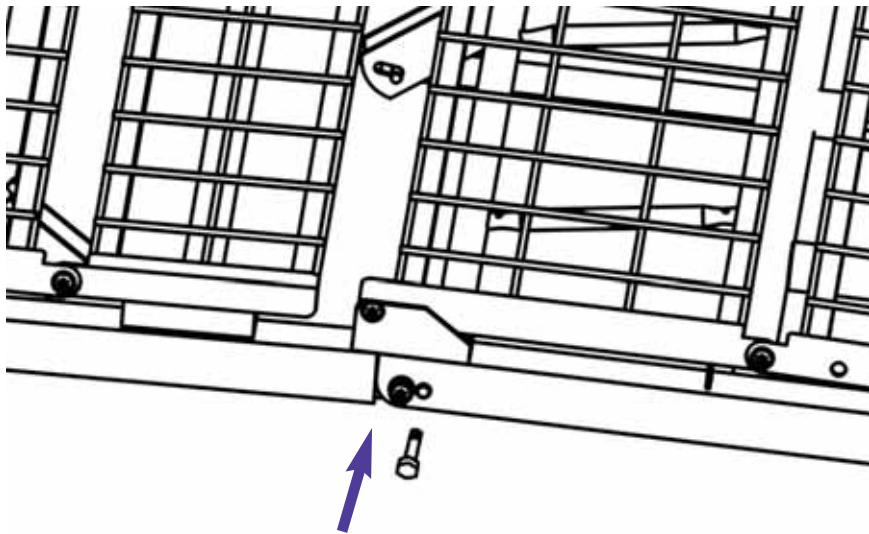
1b. Pick up the head frame (B) and at a 75 degree angle fit the head frame hooks onto the two shoulder rivets on the side rail of the foot frame.



1c. Slowly rotate the head frame until it is lined up with the foot frame in a straight line. Lock the head frame hooks securely onto the shoulder rivets on the foot frame.

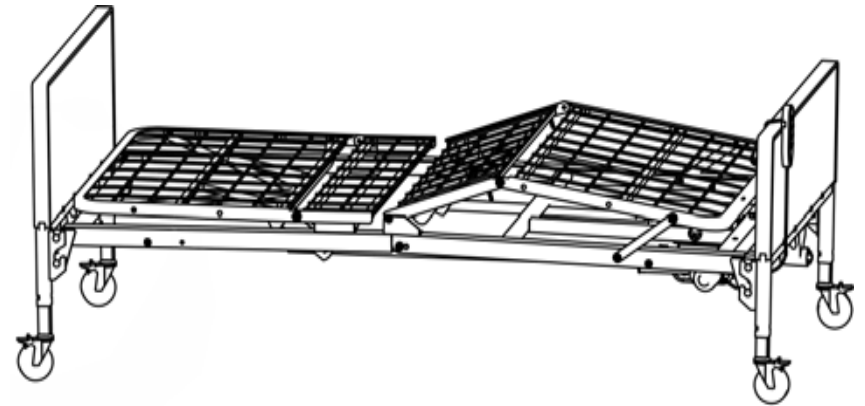


1d. After securing the head and foot frames together, slowly lower the frame to the floor with spring section of the frames facing up.



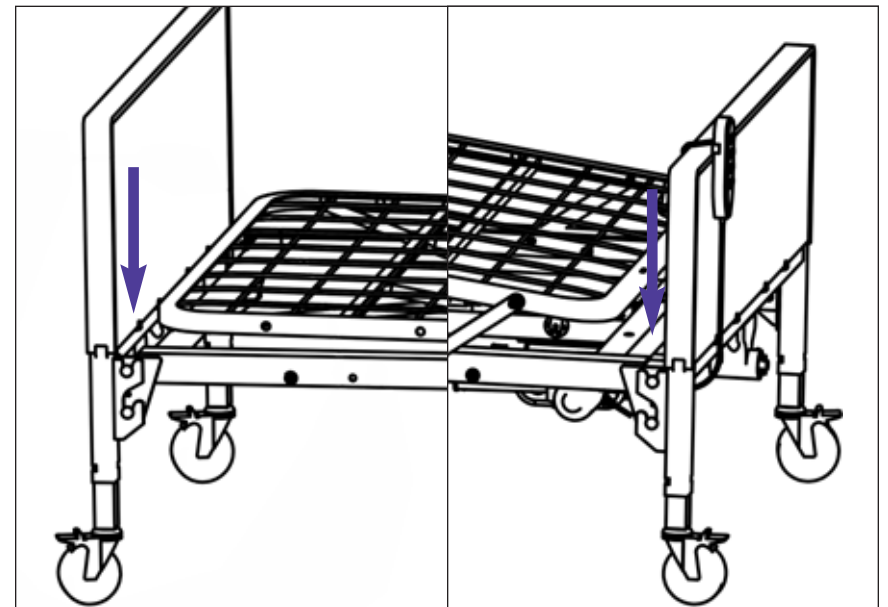
1e. The holes on each of the frames should line up. Then secure the socket head cap screw(A1) onto the hole in the middle with the nylon locking nut(A5), and washers(A3, A4) on the other side.

Note: The bed is engineered with the middle section slightly folded up to prevent the middle of the frame sagging due to long term use. In case the two holes do not line up correctly, gently press down on bed surface to line them up.

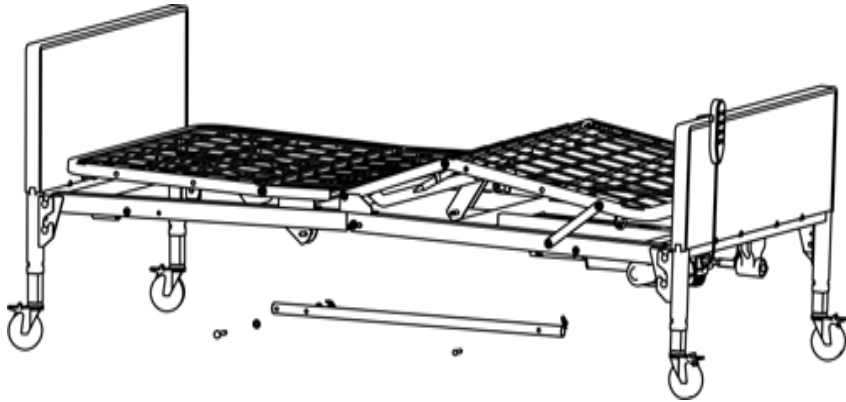


2a. The next step is to fit the bed frame onto the headboard and footboard. All head boards are taller than the foot boards.

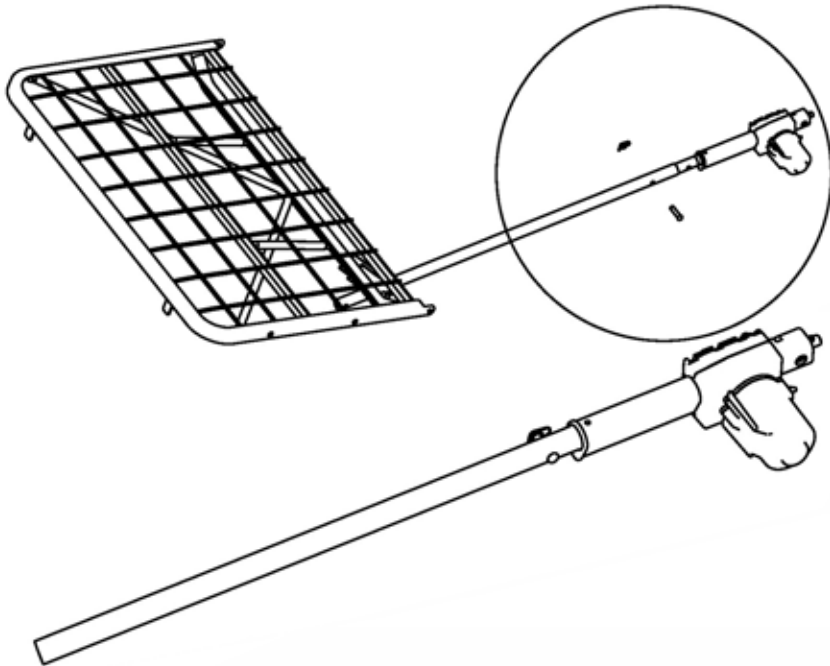
Caution: This step requires two people, do not attempt to do the installation alone.



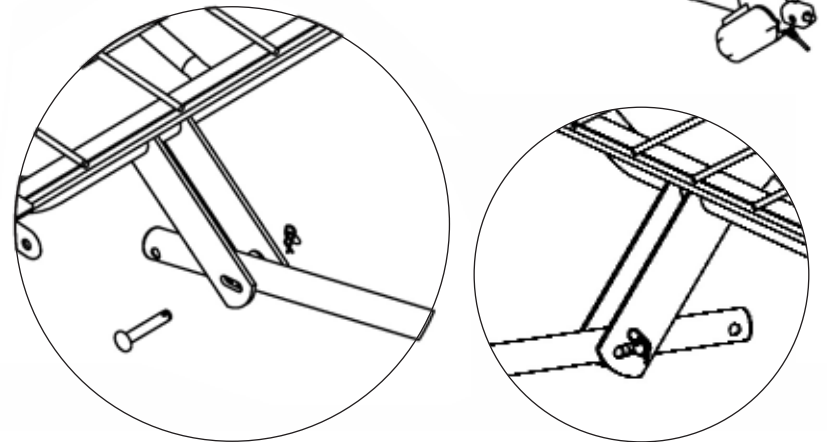
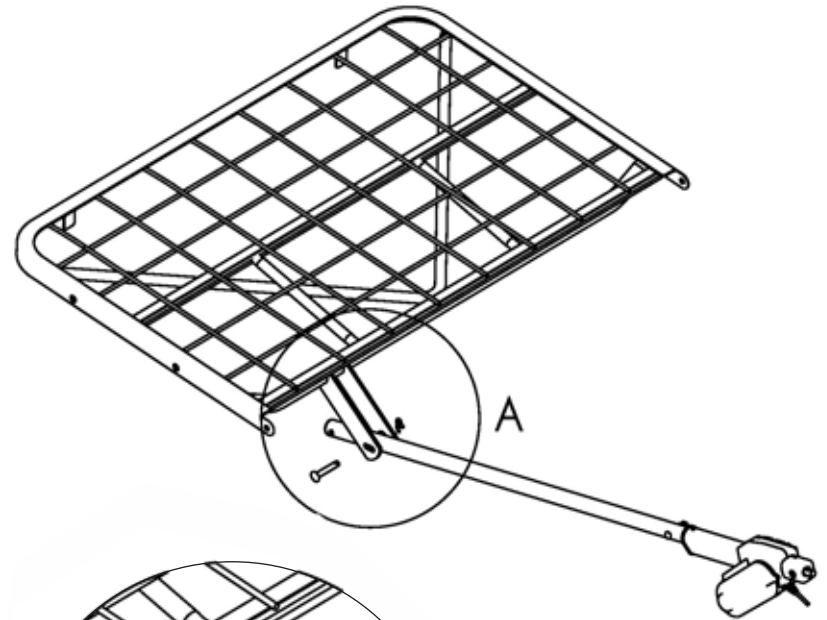
2b. Lift the head side of the frame and slide the head board onto the frame corner plate rivets. Then set the foot frame's corner plate rivets onto the foot board receptacle hooks.



3a. The longer, head frame drive tube, needs to be attached to the head section's left plates. The extension tube with the double hole side should face the headframe and the single hole side goes over the drive shaft.

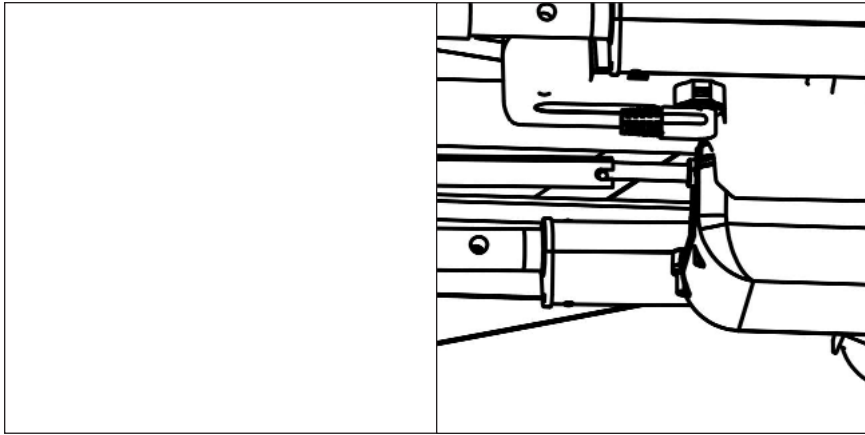


3b. Slide the extension tube over the drive motor shaft then line up the two holes on the tubes, insert the clevis pin and secure with the cotter pin.

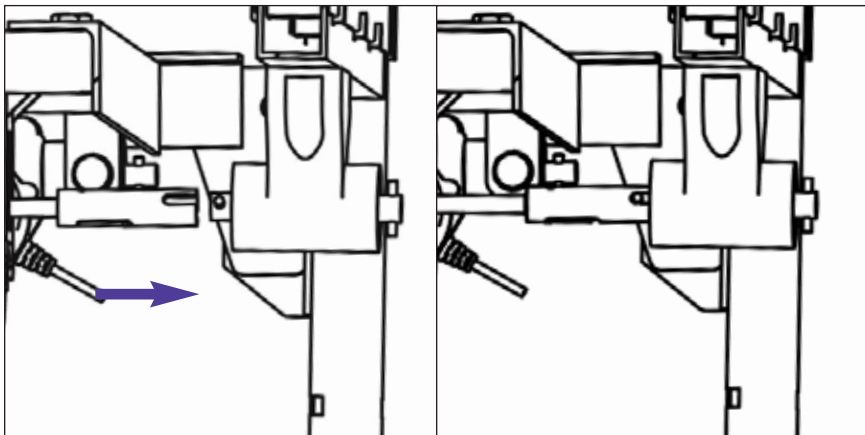


3c. Lift the other side of the drive shaft extension tube, slide it between the two lift plates. Line up the 2nd hole with the oval holes on the lift plates. Secure the pin on both sides of the drive shaft as shown in the following figure.

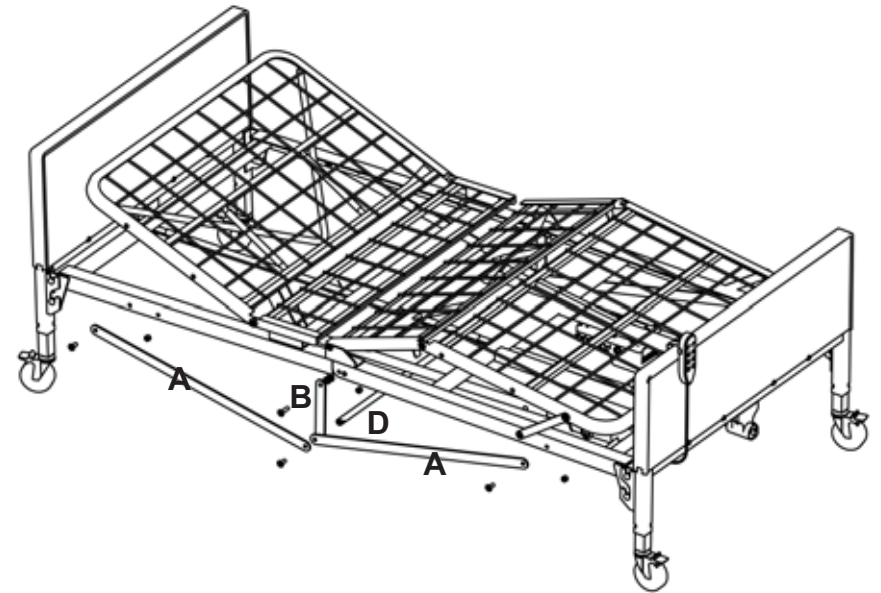
Note: the 1st hole on the tube is reserved for use with an optional extension kit to extend the bed's surface length to 84".



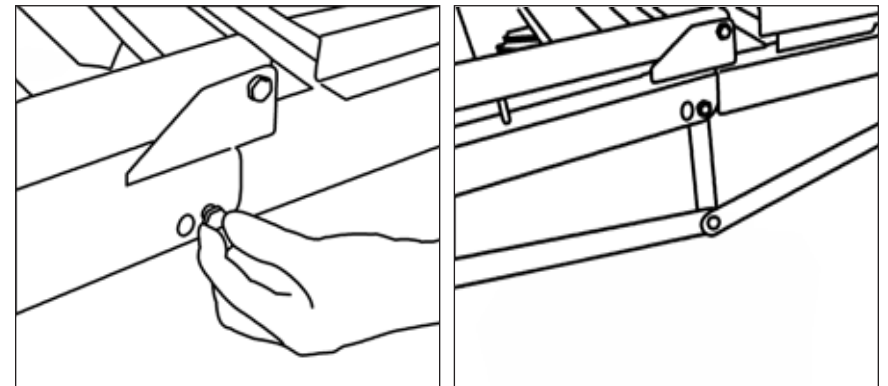
4a. The hi - lo shaft fits all styles of beds. To assemble the shaft for the full electric bed, slide the inner shaft out until the first hole lines up with the hole on the outer shaft and insert the locking pin completely through both outer and inner shafts. Connect the spring loaded end of the long drive shaft onto the gear boxes's shaft on the headboard end. Pull shaft towards bed end, and connect the other end of the drive shaft onto the hi - lo motor short shaft.



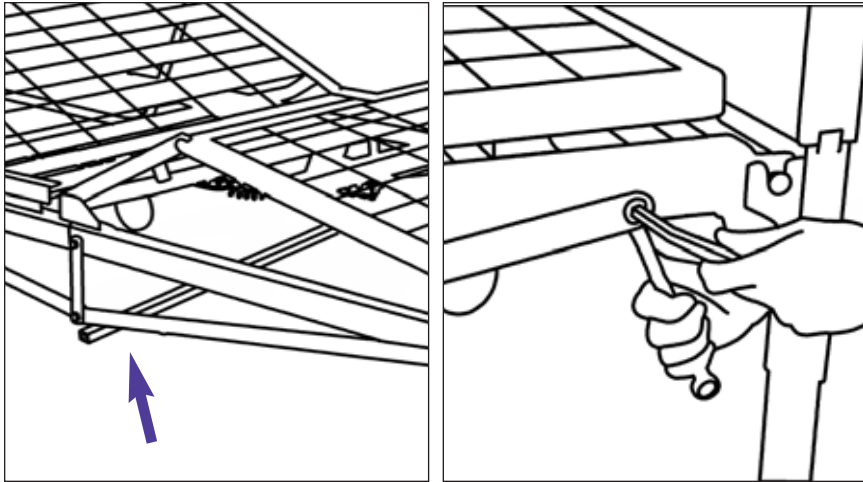
4b. The hi - lo motor side that faces the foot board has an end with a long shaft that is spring loaded. Connect the spring loaded end of the long drive shaft into the the gear box of the foot board end.



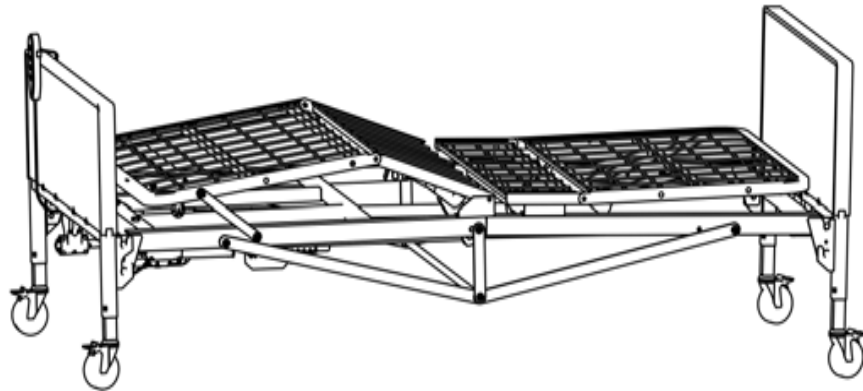
5a. For the bariatrics T4000 heavy duty bed a reinforcement side bracket is to be mounted on both side of the frame. It is then connected by cross brace in the middle.



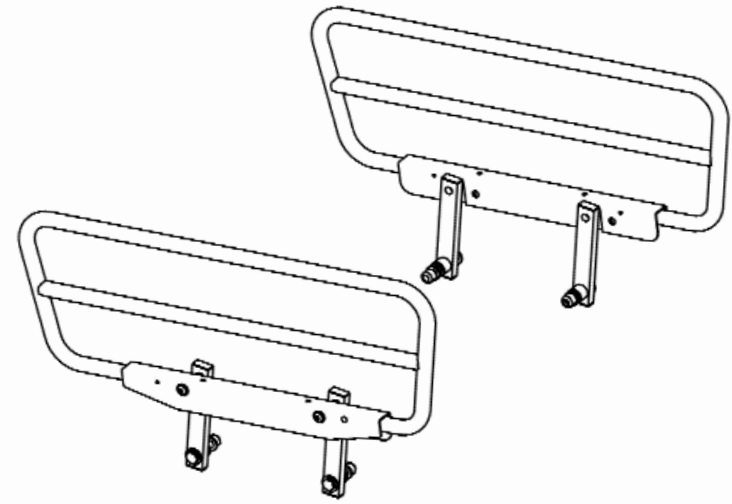
5b. Remove the nylon lock nut(A5) and washers(A3, A4) in the middle of the frame on both sides. Assemble the support bar B in the middle, inside of the frame, and the 2 supporting bars A, outside of the frame. Use socket head cap screw(A2) and nylon locking nut(A5) to secure.



5c. Connect the crossing bar D to supporting bar at both sides of the connection points of A and B. Repeat on other side then re-secure all of the socket head cap screws.

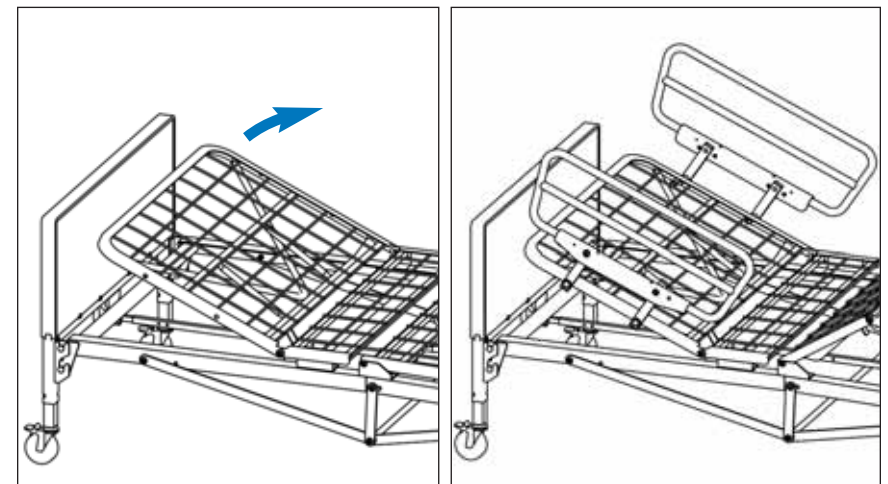


WARNING Crush Hazard due to LOW BED CLEARANCE
Stay clear of frame and ensure children and pets are not under or near the frame before lowering the bed. Beware of any PINCH POINTS below deck panels, next to fixed attachments, and between moving parts.



ASSEMBLING SWING-DOWN HALF BED SIDE RAILS

Note: Secure the caster locks in place to prevent the bed from moving.



6a. Raise the head frame to expose the holes on top of the bed frame.

6b. Position the half bedside rails' swing bars on top of bed frame.

OPERATION

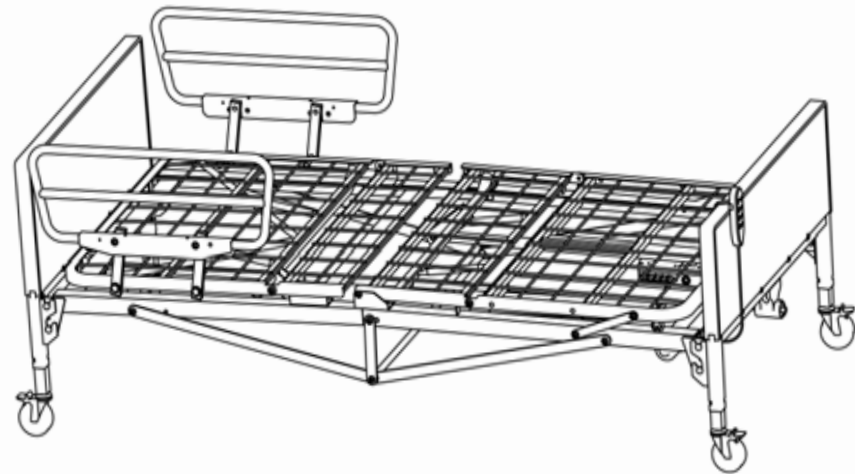
PREPARING THE BED FOR USE

1. Make sure all electronic components are well connected, and all wires are clear from moving parts.
2. Check and tighten all hardware BEFORE use.

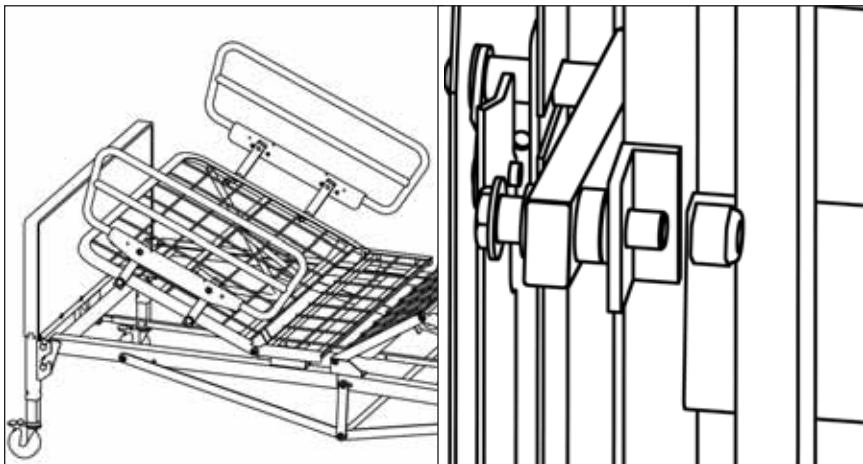
⚠ WARNING

The user must be assessed by a qualified professional. Thoroughly read and fully understand the instructions in this Owner's Manual. If you are unable to understand, contact your equipment provider for technical support before attempting to use this bed.

LOCKING/UNLOCKING THE CASTER BRAKES

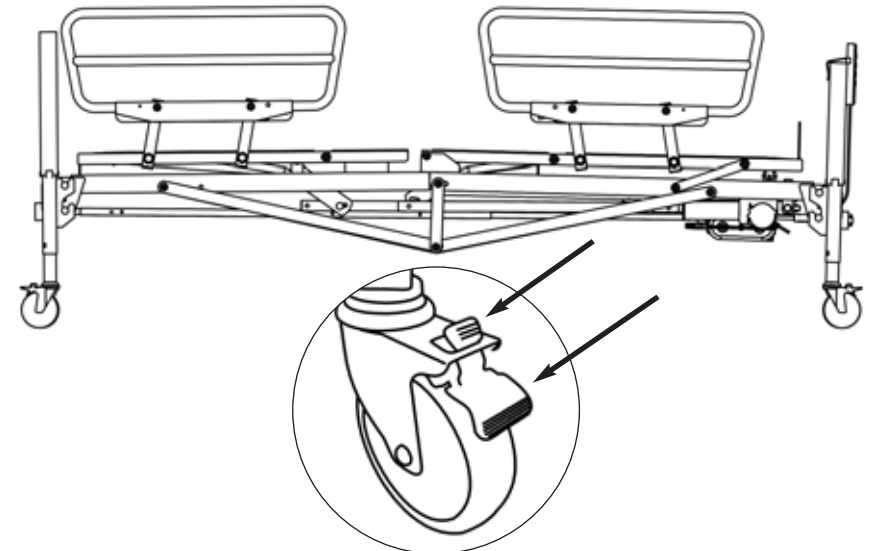


4c. Make sure the side with the black release lever faces the foot end of the bed.
(Optional 2nd pair of side rail also need to have the lever side face the same direction).



5d. Install the bolt and tighten into the holes while holding the nut with your other hand.

5e. Use a pair of 19 millimeter wrenches to tighten the bolt and nut in order to secure the swing bars to the top of the head frame section.



Push down on the lower pedal to LOCK the caster wheels
Push down on the upper pedal to UNLOCK the caster wheels

RAISING/LOWERING THE BED

⚠ WARNING DO NOT exceed the maximum weight limit of 600 lbs for the bed.

⚠ WARNING Operation of this device with any part of the body in the frame can result in injury. Do not place your arms or head in the frame during operation.

⚠ WARNING Stand clear of device frame before operating.

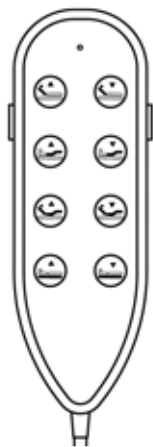
⚠ WARNING Rotating Parts. Keep hands and fingers away when mechanism is moving.

⚠ WARNING Keep hands and fingers away when bed is in movement to avoid pinching.

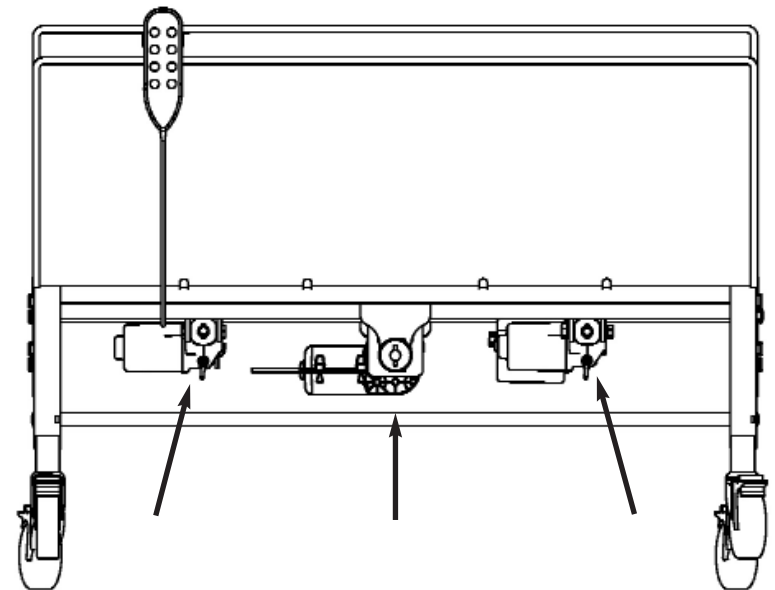
⚠ WARNING Electrical hazards may occur if the device is plugged into an inadequate electrical outlet. To avoid electrical shock hazards, make sure that the bed is plugged into a grounded 110 Volt outlet. Before operating, make sure casters are in their proper operating positions.

PENDANT FUNCTIONS

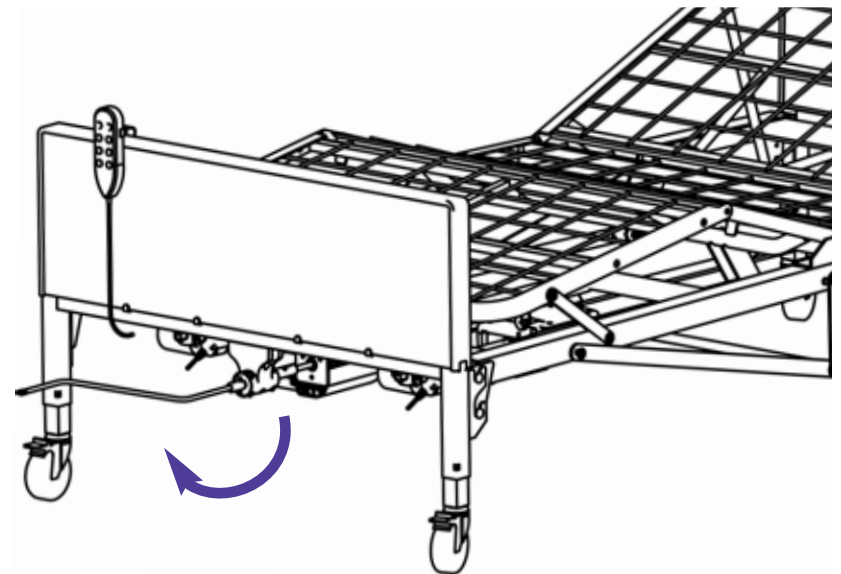
Press indicated buttons to move the bed up and (or) down.



- A. Blue LED Indicator Light
- B. Head Section
- C. Foot Section
- D. Head & Foot Section
- E. Hi-Low Section

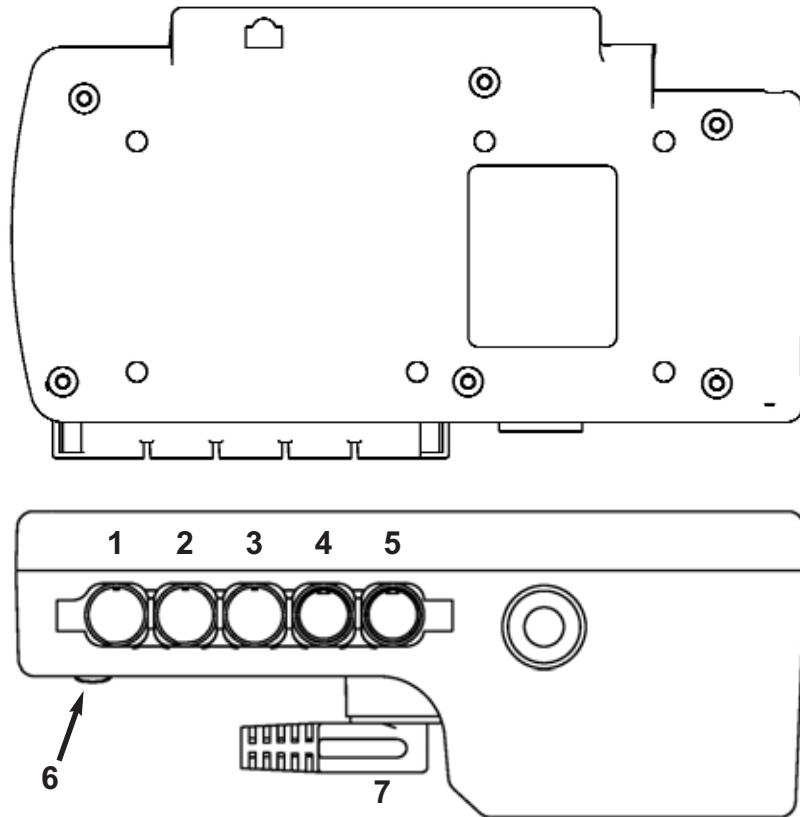


4c. For motorized beds, a spare hand crank is included in case of motor failure. Attach it to the motor shaft facing out from the foot board to operate.



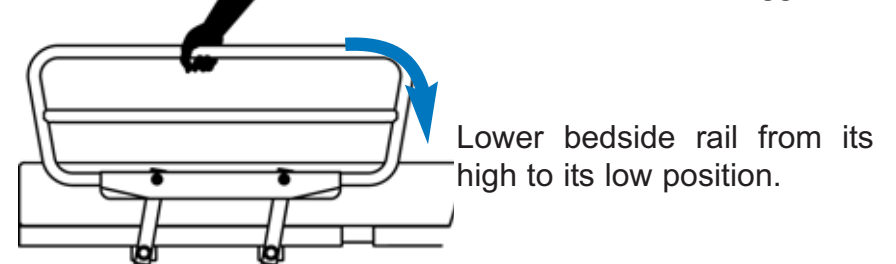
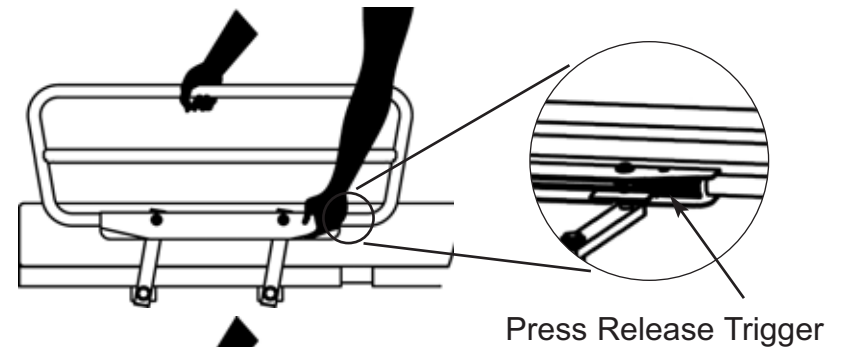
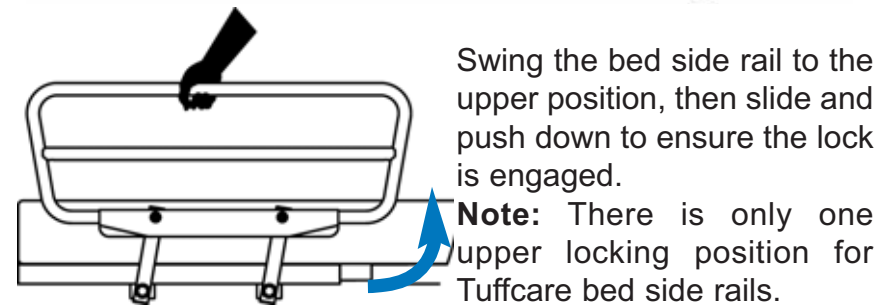
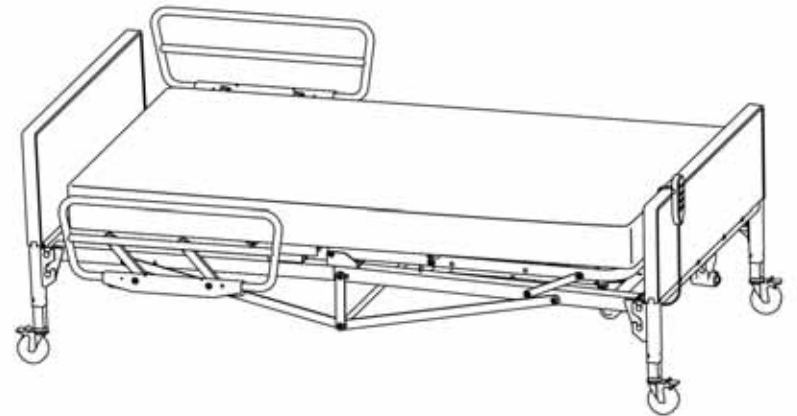
JUNCTION BOX FUNCTIONS

Control of all of electronic components.



1. Hand Pendant/Control Panel
2. Head Motor
3. Foot Motor
4. Hi-Low Motor
5. Optional Receptacle (not in use)
6. Power Indicator Light (green when plugged into an AC outlet, red when circuit is on)
7. Power Cord with Ground connection

RAISING & LOWERING BEDSIDE RAILS



MAINTENANCE

CLEANING THE BED

- The Bed can be cleaned with non-abrasive cleaners. Make sure that the wheels are free of hair, lint, and other debris.

DETECTING WEAR AND DAMAGE

- Check monthly that all screws are tight and have not loosened.
- Check monthly for damaged or exposed wires on the electrical components.
- Inspect monthly for signs of cracking, fraying or any deterioration.
- Contact your equipment provider for replacement of any defective parts immediately and ensure that the bed is not used until the repair is completed.

LUBRICATING THE BED

- A light grease lubricant may be applied to the ball bearing and swivel of the casters every three months.

PERFORMING REGULAR MAINTENANCE

- Regular maintenance of the bed and accessories is required to ensure proper operation. The casters and axle bolts are also require check-ups for proper tightness.

LIMITED WARRANTY

The warranty below has been drafted to comply with Federal Law applicable to products manufactured after July 4, 1975. This warranty is extended only to the original purchaser/consumer (or dealer non-consumer who does not buy for resale).

Tuffcare® warrants that it's Century Series Beds will be free from defective workmanship and materials for a period of three (3) years following the date of original manufacture with the following exceptions: All welds are warranted for the life of the bed. Electronics on the beds are warranted for one (1) year. The warranty period commences on the original manufacture date. If within such warranty period any such product proven to Tuffcare® satisfaction to be defective, such product will be repaired or replaced at Tuffcare® option.

Tuffcare® sole obligation and your exclusive remedy under this warranty shall be limited to such repair and/or replacement. This warranty does not include any labor charges incurred in replacement parts installation. Freight charges to the factory are at the expense of the consumer or seller. Return freight charges will be prepaid by Tuffcare®. For warranty service, please contact the authorized dealer from whom you purchased your Tuffcare® products. In the event that you do not receive satisfactory warranty service, please write directly to Tuffcare®: 4977 La Palma Ave, Anaheim, California, 92807. DO NOT RETURN PRODUCTS WITHOUT PRIOR AUTHORIZATION.

LIMITATIONS AND EXCLUSIONS: The foregoing warranty shall not apply to products subjected to negligence, abuse, misuse, improper operation, improper maintenance, improper storage or damages beyond Tuffcare® control. The evaluation will be solely determined by Tuffcare®. The warranty shall not apply to problems arising from normal wear, or failure to follow instructions, or if parts are not manufactured by Tuffcare®, or do not comply with original equipment specifications that are added to Tuffcare® product.

THE FOREGOING WARRANTY IS EXCLUSIVE AND IN LIEU OF ALL OTHER WARRANTIES, INCLUDING BUT NOT LIMITED TO THE IMPLIED WARRANTIES OF MERCHANTABILITY AND FITNESS FOR A PARTICULAR PURPOSE AND SHALL NOT EXTEND BEYOND THE DURATION OF THE EXPRESS WARRANTY PROVIDED HEREIN. TUFFCARE® SHALL NOT BE LIABLE FOR ANY CONSEQUENTIAL OR INCIDENTAL DAMAGES WHATSOEVER.

This warranty gives you specific rights and you may also have other legal rights which vary from state to state. Some states do not allow the exclusion or limitations of incidental or consequential damage, or limitation on how long an implied warranty